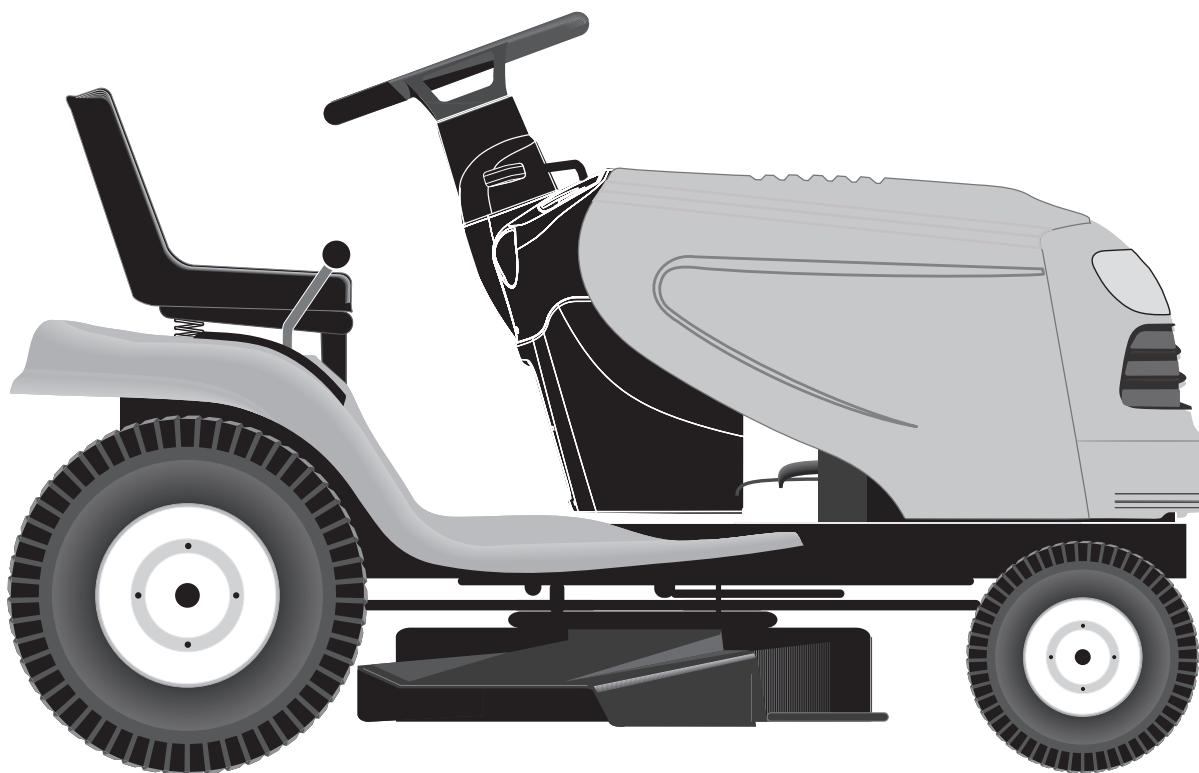


# Poulan PRO



**REPAIR PART'S MANUAL**

**MODEL:**

**PB20H42LT**

**LAWN TRACTOR**

**ALWAYS WEAR EYE PROTECTION DURING OPERATION**

Visit our website: [www.poulanpro.com](http://www.poulanpro.com)

**⚠ WARNING:**

Read this Manual and follow all Warnings and Safety Instructions. Failure to do so can result in serious injury.

# HOW TO USE THIS MANUAL

This manual is designed to provide the customer with a means to identify the parts on his/her tractor when ordering repair parts. The illustrations may or may not represent the actual assemblies; therefore, it is not recommended to use this manual as a guide to assemble or disassemble the tractor. Some hardware and parts are drawn larger in order to more readily identify them.

Each tractor has its own model number.

The model number for your tractor can be found on the fender under the seat.

When ordering parts, always give the following information:

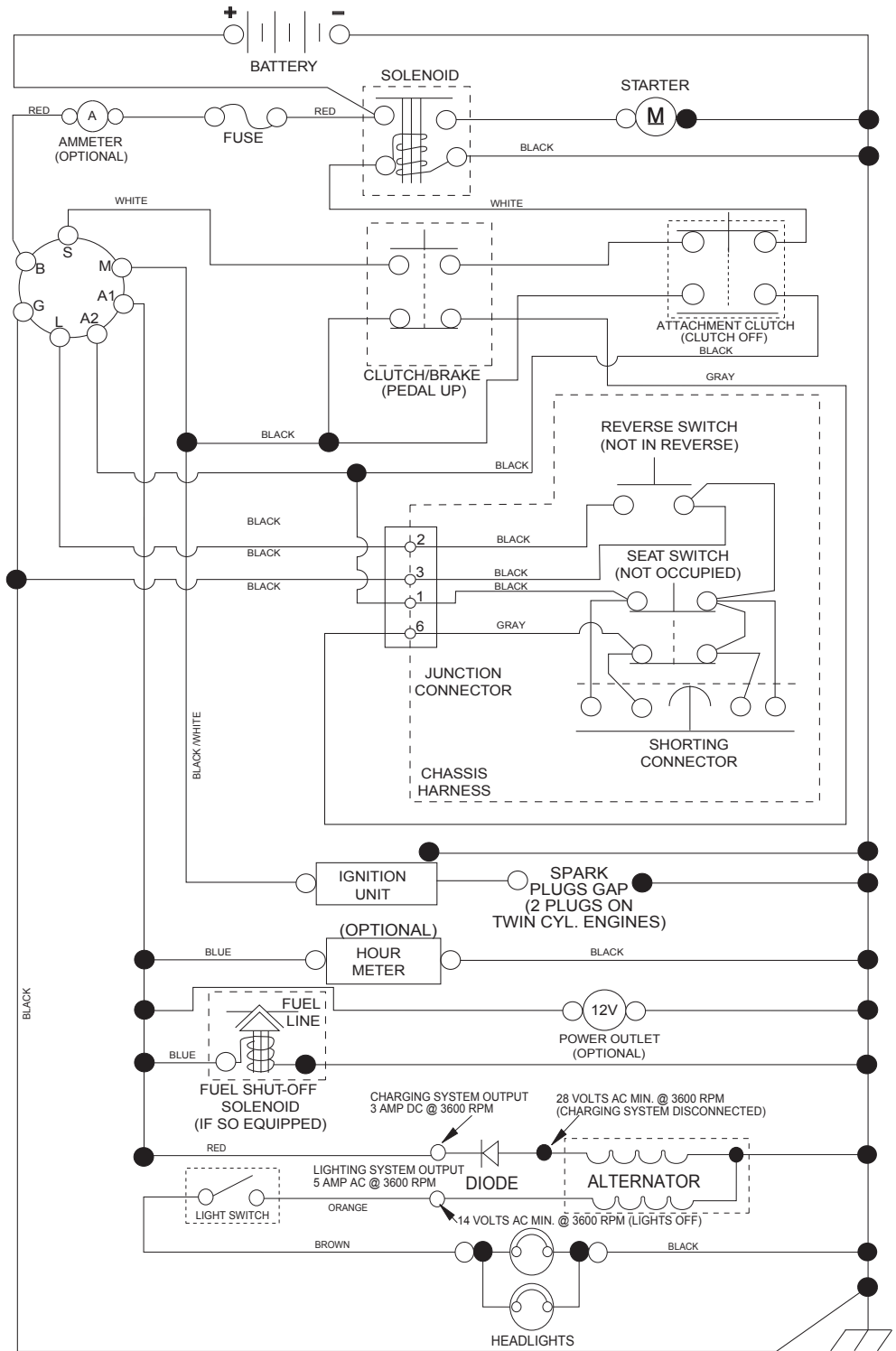
- Product - "Tractor"
- MODEL NUMBER - "PB20H42LT (96042014800)"
- Part Number
- Part Description

## TABLE OF CONTENTS

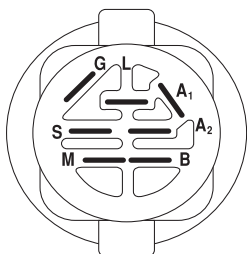
SCHEMATIC .....	3
ELECTRICAL.....	4-5
CHASSIS .....	6-7
DRIVE.....	8-9
ENGINE.....	10-11
STEERING .....	12-13
MOWER DECK .....	14-15
MOWER LIFT.....	16
SEAT .....	17
DECALS.....	18
WARRANTY.....	19
PARTS AND SERVICE .....	20

# TRACTOR - - MODEL NUMBER PB20H42LT (96042014800), PRODUCT NO. 960 42 01-48 SCHEMATIC

SCH11

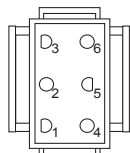


**NOTE**  
YOUR TRACTOR IS EQUIPPED WITH A SPECIAL ALTERNATOR SYSTEM. THE LIGHTS ARE NOT CONNECTED TO THE BATTERY, BUT HAVE THEIR OWN ELECTRICAL SOURCE. BECAUSE OF THIS, THE BRIGHTNESS OF THE LIGHTS WILL CHANGE WITH ENGINE SPEED. AT IDLE THE LIGHTS WILL DIM. AS THE ENGINE IS SPEEDED UP, THE LIGHTS WILL BECOME THEIR BRIGHTEST.

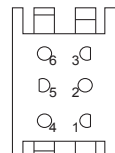


IGNITION SWITCH

POSITION	CIRCUIT "MAKE"
OFF	M+G+A1
RUN/OVERRIDE	B+A1
RUN	B+A1 L+A2
START	B + S + A1



CHASSIS HARNESS CONNECTOR (MATING SIDE)



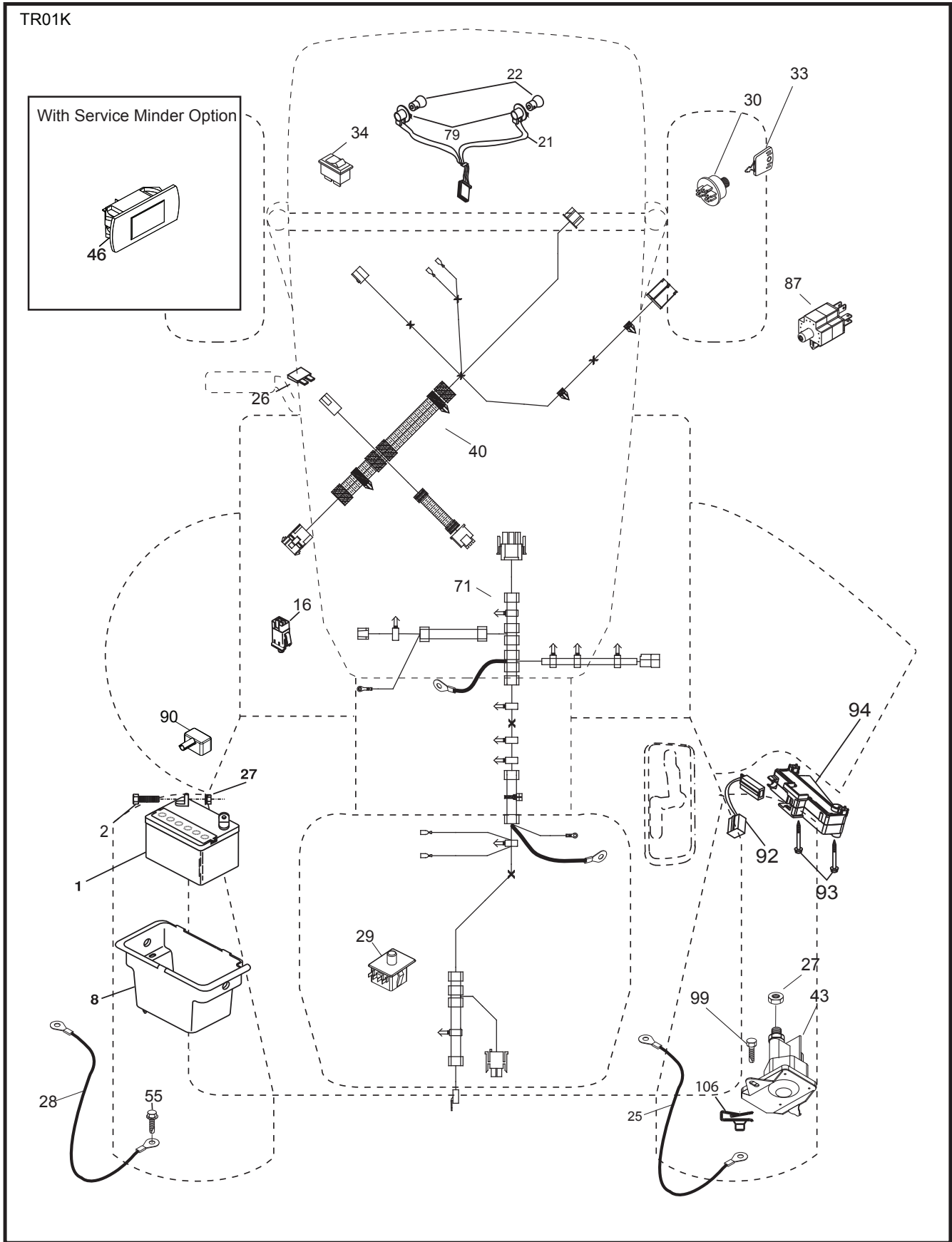
DASH HARNESS CONNECTOR (MATING SIDE)

WIRING INSULATED CLIPS  
NOTE: IF WIRING INSULATED CLIPS WERE REMOVED FOR SERVICING OF UNIT, THEY SHOULD BE RE-INSTALLED TO PROPERLY SECURE YOUR WIRING.

NON-REMOVABLE CONNECTIONS

REMOVABLE CONNECTIONS

TRACTOR - - MODEL NUMBER PB20H42LT (96042014800), PRODUCT NO. 960 42 01-48  
ELECTRICAL

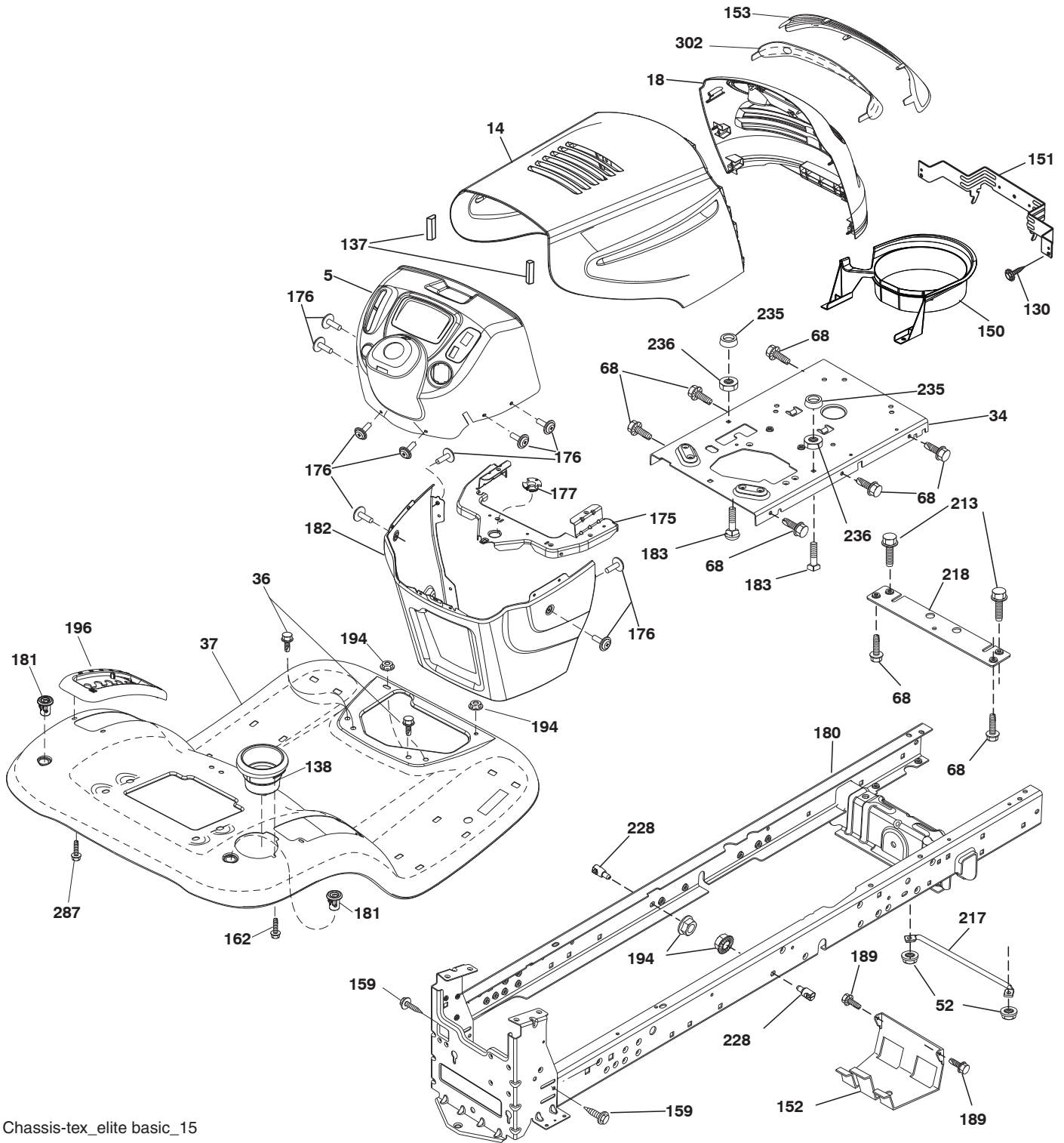


**TRACTOR - - MODEL NUMBER PB20H42LT (96042014800), PRODUCT NO. 960 42 01-48  
ELECTRICAL**

<b>KEY NO.</b>	<b>PART NO.</b>	<b>DESCRIPTION</b>
1	532 16 34-65	Battery
2	874 76 04-12	Bolt Hex Hd 1/4-20 unc x 3/4
8	532 19 32-28	Box Battery
16	532 17 61-38	Switch Interlock
21	532 18 37-59	Harness Socket Light
22	532 00 41-52	Bulb, Light #1156
25	581 49 80-01	Cable Starter 6 Ga. BL/Red 14.5
26	532 17 51-58	Fuse
27	873 51 04-00	Nut Keps Hex 1/4-20 unc
28	532 42 16-86	Cable Ground 18" Rear Battery Blk 6 Ga.
29	532 40 15-45	Switch Seat
30	532 19 33-50	Switch Ign
33	532 41 19-33	Key/Chain
34	532 11 07-12	Switch Light/Reset
40	581 02 31-01	Harness Ign
43	532 19 25-07	Solenoid
55	817 06 05-12	Screw 5/16-18 x 3/4
71	581 02 30-01	Harness Ign. Chass.
79	532 17 52-42	Socket Asm. Bulb
87	532 19 78-02	Switch Interlock Clutch
90	532 43 53-95	Cover Terminal
92	532 19 66-15	Harness Pigtail Reverse Switch
93	532 19 25-40	Screw Plastic 10-14 x 2.0
94	532 19 18-34	Modual Reverse ROS
99	817 67 04-12	Screw
106	532 17 48-14	Pal nut

**NOTE:** All component dimensions given in U.S. inches  
1 inch = 25.4 mm

**TRACTOR - - MODEL NUMBER PB20H42LT (96042014800), PRODUCT NO. 960 42 01-48  
CHASSIS**



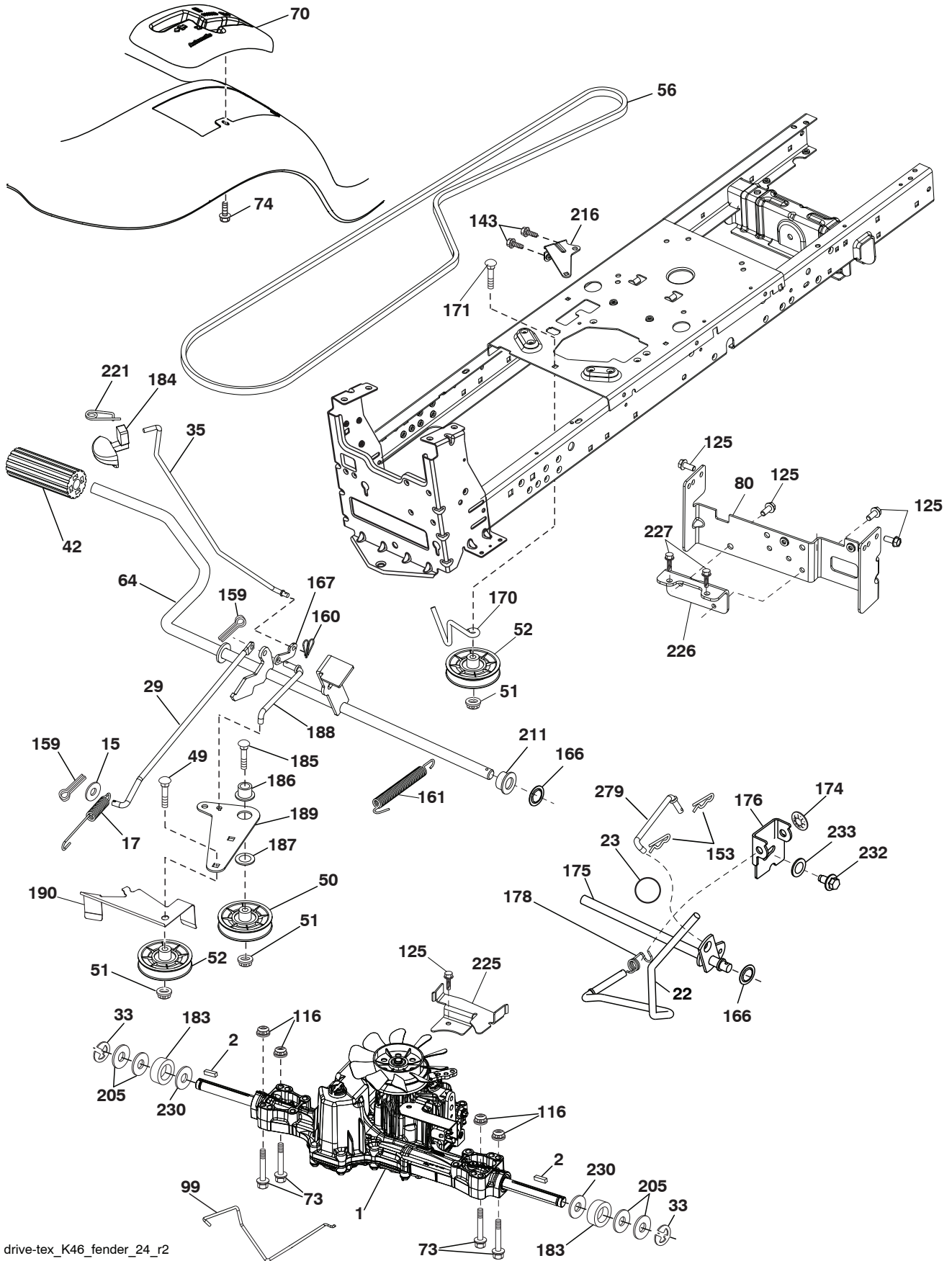
Chassis-tex\_elite basic\_15

**TRACTOR - - MODEL NUMBER PB20H42LT (96042014800), PRODUCT NO. 960 42 01-48  
CHASSIS**

<b>KEY NO.</b>	<b>PART NO.</b>	<b>DESCRIPTION</b>
5	532 41 17-64	Dash
14	532 18 58-47	Hood
18	532 42 67-92	Grille
34	580 91 08-01	Plate Engine
36	817 06 05-12	Screw 5/16-18 x 3/4
37	532 43 65-23	Fender
52	873 68 05-00	Nut Lock 5/16-18
68	817 49 05-08	Screw Thdrol 5/16-18 x 1/2
130	532 41 63-58	Screw #10 x 0.750
137	532 18 49-21	Bumper Hood
138	532 40 97-30	Cupholder
150	532 18 44-61	Duct Heat Hood
151	532 40 78-07	Bracket Pivot
152	532 19 95-35	Shield Browning
153	532 18 98-37	Lens Grille
159	817 00 06-12	Screw Hexwsh Thdrol 3/8-16 x 3/4
162	532 14 24-32	Screw Hex Wsh Hi-Lo 1/4 x 1/2
175	532 19 32-43	Crossmember
176	532 40 07-76	Screw 10-24 x 5/8 Wshd Qdrx
177	532 19 52-28	Bushing Steering
180	532 19 54-57	Chassis
181	532 40 47-96	Bushing Mtg. Fender Crgo.
182	532 19 30-57	Dash Lower
183	874 52 05-20	Bolt 5/16-18 x 1-1/4
189	817 00 05-12	Screw 5/16-18 x 3/4
194	873 90 05-00	Nut Lock Hex Flange 5/16-18
196	532 41 45-79	Console Asm. Deck Lift
213	874 76 05-12	Bolt 5/16-18 x 3/4
217	532 40 91-67	Rod Pivot Hood
218	532 19 63-95	X-Piece Hood Step
228	532 19 51-61	Stud Fastener
235	532 40 61-29	Spacer Fender
236	873 93 05-00	Nut Center Lock 5/16-18
287	817 60 04-06	Screw 1/4-20 x 3/8
302	532 18 38-23	Insert Lens Reflective

**NOTE:** All component dimensions given in U.S. inches  
1 inch = 25.4 mm

TRACTOR - - MODEL NUMBER PB20H42LT (96042014800), PRODUCT NO. 960 42 01-48  
DRIVE



drive-tex\_K46\_fender\_24\_r2

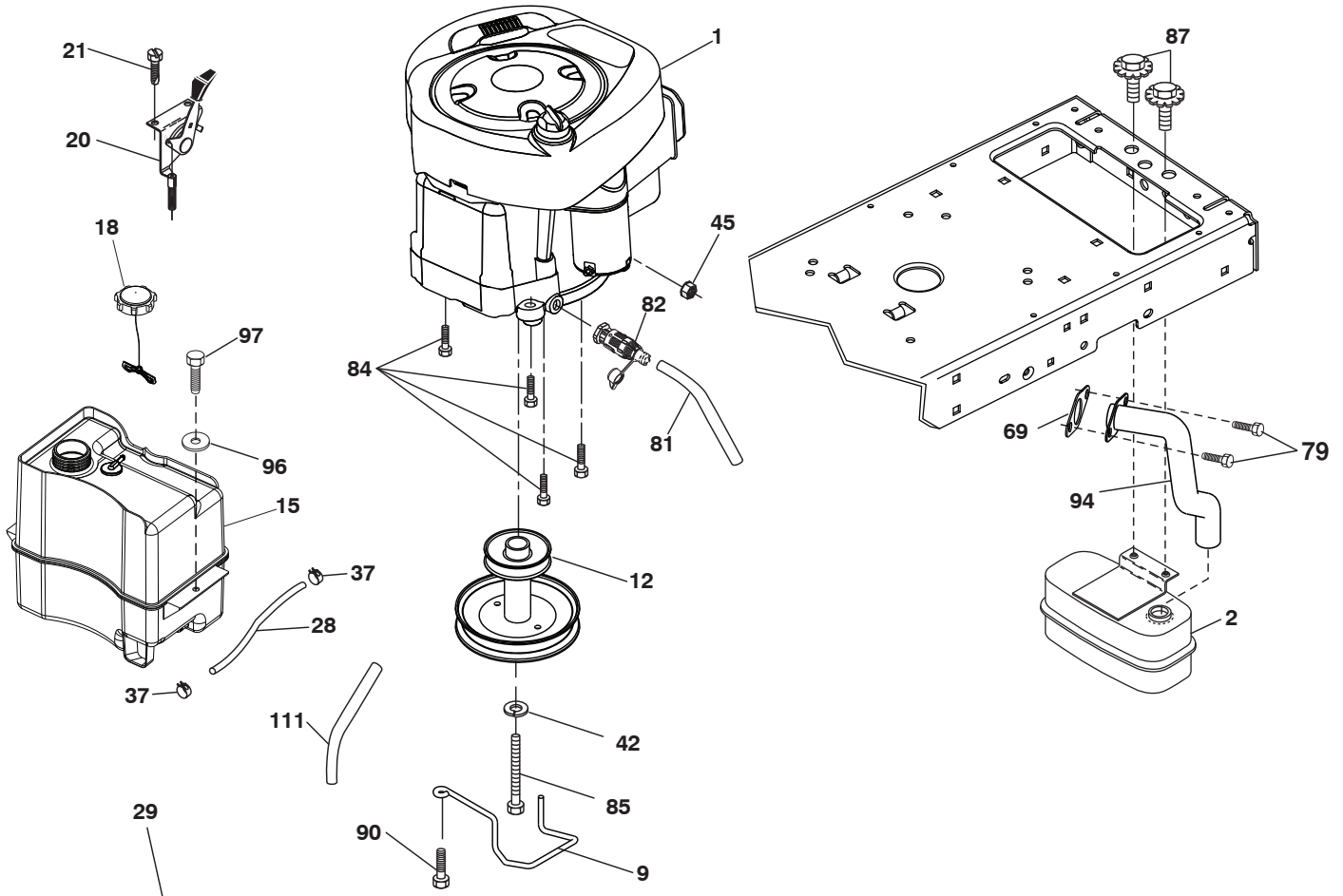


**TRACTOR - - MODEL NUMBER PB20H42LT (96042014800), PRODUCT NO. 960 42 01-48  
DRIVE**

<b>KEY NO.</b>	<b>PART NO.</b>	<b>DESCRIPTION</b>	<b>KEY NO.</b>	<b>PART NO.</b>	<b>DESCRIPTION</b>
1	---	Transaxle, Tufftorq K46BA (448348)(Order parts from transaxle manufacturer.)	170	532 19 43-22	Keeper Belt Centerspan
2	532 12 35-83	Key Square	171	872 11 06-16	Bolt 3/8-16 unc x 2
15	819 13 13-16	Washer 13/32 x 13/16 x 16 Ga.	174	532 19 72-89	Nut Push
17	532 41 36-78	Spring, Brake	175	532 40 62-08	Shaft Asm Shift
22	532 19 76-60	Rod Shift	176	532 19 62-14	Arm Clevis Rod Shift
23	532 14 08-45	Knob	178	532 19 74-56	Spring Shift
29	532 40 38-06	Rod, Brake	183	532 13 70-57	Spacer Axle
33	812 00 00-01	Ring E	184	532 44 15-04	Handle Parking Brake
35	532 19 77-22	Rod, Brake, Park	185	872 11 06-22	Bolt
42	532 12 48-72	Cover, Foot Pedal	186	532 19 43-21	Spacer Retainer
49	872 11 06-14	Bolt	187	819 13 32-10	Washer
50	532 19 43-27	Pulley Idler Flat	188	532 19 43-23	Link Clutch Ground Drive
51	873 90 06-00	Lock Nut 3/8-16	189	532 19 43-17	Bellcrank Ground Drive
52	532 19 43-26	Idler V-Groove	190	532 19 43-18	Keeper Bellcrank Ground Drive
56	532 13 09-69	V-Belt, Drive	205	532 12 17-48	Washer 25/32 x 1-5/8 x 16 Ga.
64	532 19 62-00	Shaft Asm. Pedal Brake Control	211	532 19 62-12	Bushing Shaft
70	532 41 13-29	Console	216	532 19 61-31	Bracket Pulley Idler
73	874 49 05-40	Bolt Hex 5/16-18 x 2-1/2 G5	221	532 40 31-87	Retainer Spring Clip Handle
74	532 14 24-32	Screw 1/4 x 1/2	225	532 40 33-19	Keeper Belt Transaxle
80	532 44 06-19	Strap Torque	226	532 40 15-64	Bracket Mount Torque
99	532 41 57-42	Rod Spring Bypass	227	817 49 05-12	Screw 5/16-18 x 3/4
116	873 90 05-00	Nut Lock Hex Flange 5/16-18	230	532 18 89-67	Washer Harden .793 x 1.637 x 060
125	817 00 05-12	Screw 5/16-18 x 3/4	232	874 78 07-16	Bolt 7/16-14 x 1 Gr 5
143	817 49 05-08	Screw THDROL 5/16-18	233	532 40 52-96	Washer Serrated
153	532 12 47-88	Retainer Spring 1"	279	532 40 62-07	Link Shift
159	876 02 04-12	Pin Cotter 1/8 x 3/4			
160	532 16 94-84	Retainer Clip			
161	532 10 57-09	Spring, Return, Clutch			
166	532 42 91-64	Nut Push .625			
167	532 40 52-57	Latch Brake Parking			

**NOTE:** All component dimensions given in U.S. inches  
1 inch = 25.4 mm

**TRACTOR - - MODEL NUMBER PB20H42LT (96042014800), PRODUCT NO. 960 42 01-48  
ENGINE**



**OPTIONAL EQUIPMENT  
SPARK ARRESTER**

engine-tex\_BS\_64

**TRACTOR - - MODEL NUMBER PB20H42LT (96042014800), PRODUCT NO. 960 42 01-48  
ENGINE**

<b>KEY NO.</b>	<b>PART NO.</b>	<b>DESCRIPTION</b>
1	- - - - -	Engine Briggs Model No. 331777-2372-G5(438212) (Order parts from engine manufacturer.)
2	532 18 86-55	Muffler
9	532 19 43-20	Keeper Belt Engine
12	532 40 54-71	Pulley Engine
15	532 43 30-03	Tank Fuel
18	532 43 85-96	Cap Fuel
20	532 17 05-45	Control Throttle
21	532 41 63-58	Screw #10 x 0.750 BOS Thread
28	532 40 11-37	Fuel Line
29	532 13 71-80	Spark Arrester Kit
37	532 12 34-87	Clamp Hose
42	810 04 07-00	Washer Lock 7/16
45	873 51 04-00	Nut Keps Hex 1/4-20 unc
69	532 16 52-91	Gasket
79	532 19 23-34	Screw 5/16-18 x 3/4
81	532 14 84-56	Tube Drain Oil Easy
82	532 42 82-87	Valve Drain Oil
84	817 06 06-20	Screw 3/8-16 x 1/4
85	532 17 39-37	Bolt Hex 7/16-20 x 4 Gr. 5
87	532 17 18-77	Bolt 5/16-18 unc x 3/4 w/sems
90	817 00 06-16	Screw 3/8-16 x 1
94	532 40 54-50	Exhaust Tube
96	819 09 14-16	Washer 9/32 x 7/8 x 16 Ga.
97	817 67 04-12	Screw 1/4-20 x 3/4
111	532 41 41-19	Purge Line

**NOTE:** All component dimensions given in U.S. inches  
1 inch = 25.4 mm

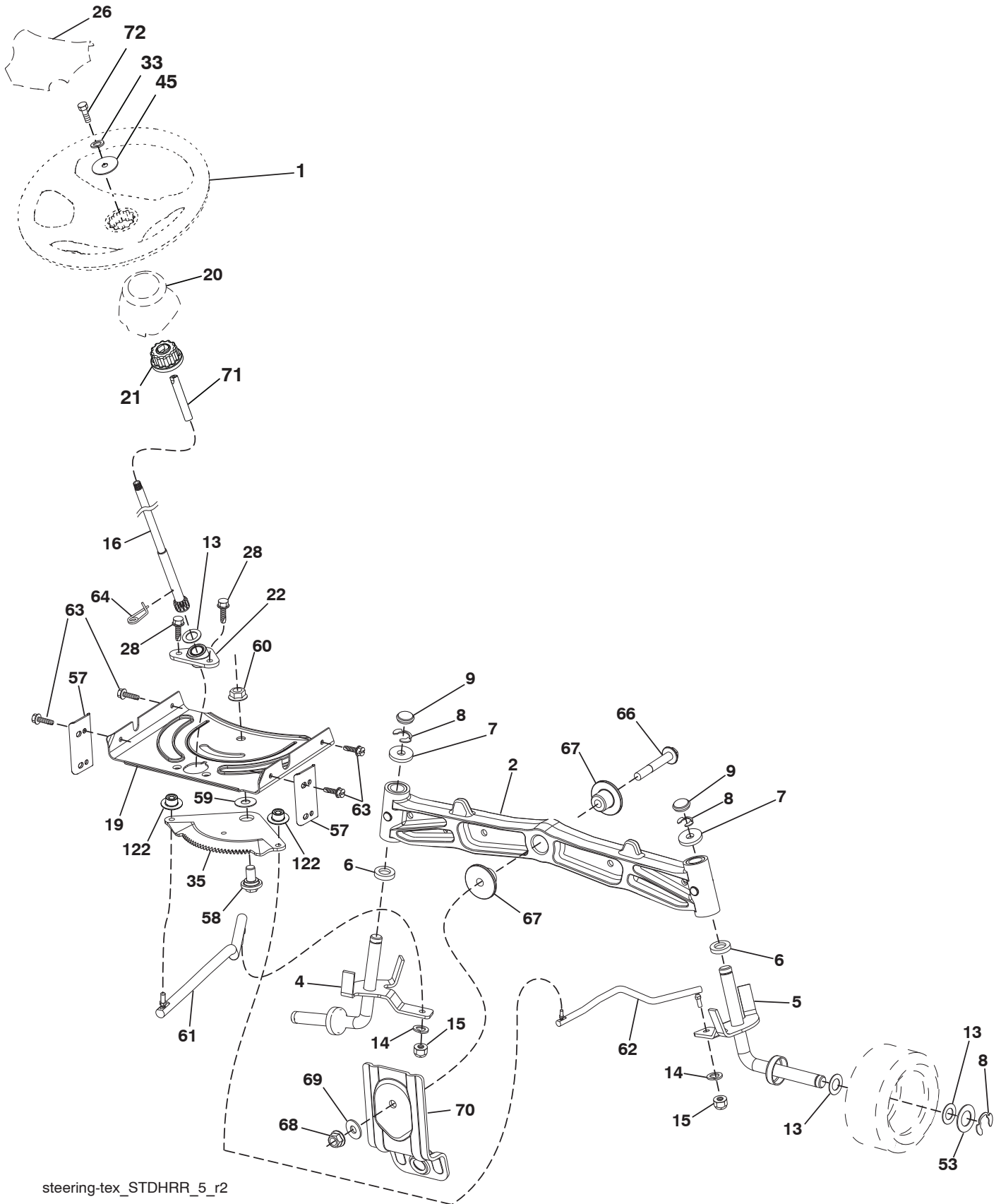
For engine service and replacement parts, call the toll free number for your engine manufacturer listed below:

Briggs & Stratton                    1-800-233-3723

**Engine Power Rating Information**

The gross power rating for individual gas engine models is labeled in accordance with SAE (Society of Automotive Engineers) code J1940 (Small Engine Power & Torque Rating Procedure), and rating performance has been obtained and corrected in accordance with SAE J1995 (Revision 2002-05). Torque values are derived at 3060 RPM; horsepower values are derived at 3600 RPM. Actual gross engine power will be lower and is affected by, among other things, ambient operating conditions and engine-to-engine variability. Given both the wide array of products on which engines are placed and the variety of environmental issues applicable to operating the equipment, the gas engine will not develop the rated gross power when used in a given piece of power equipment (actual "on-site" or net power). This difference is due to a variety of factors including, but not limited to, accessories (air cleaner, exhaust, charging, cooling, carburetor, fuel pump, etc.), application limitations, ambient operating conditions (temperature, humidity, altitude), and engine-to-engine variability. Due to manufacturing and capacity limitations, Briggs & Stratton may substitute an engine of higher rated power for this Series engine.

**TRACTOR - - MODEL NUMBER PB20H42LT (96042014800), PRODUCT NO. 960 42 01-48**  
**STEERING**



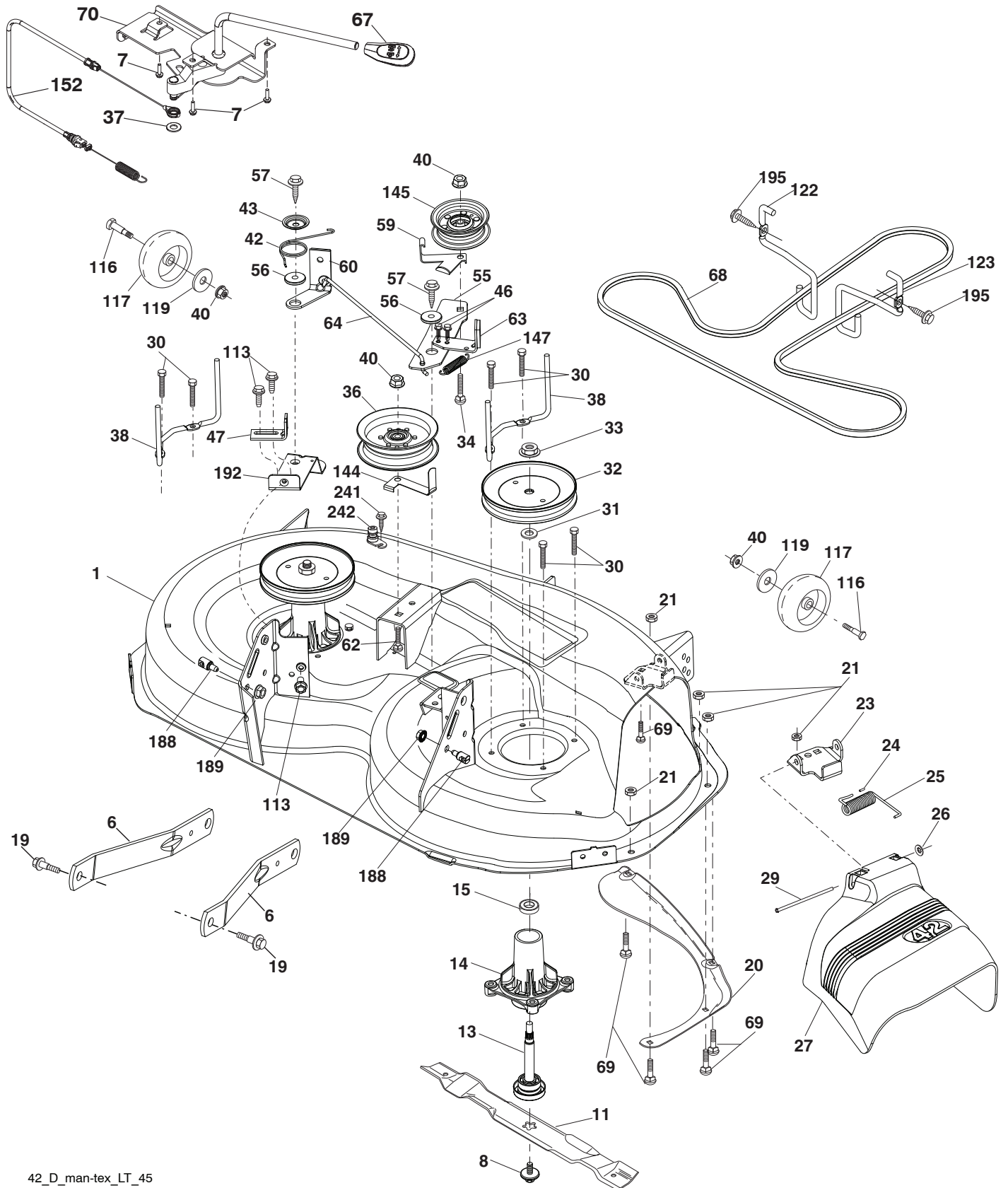
steering-tex\_STDHRR\_5\_r2

**TRACTOR - - MODEL NUMBER PB20H42LT (96042014800), PRODUCT NO. 960 42 01-48  
STEERING**

<b>KEY NO.</b>	<b>PART NO.</b>	<b>DESCRIPTION</b>
1	532 42 45-43	Wheel, Steering
2	532 19 59-68	Axle Asm., Front
4	532 40 30-87	Spindle Asm., LH
5	532 40 30-88	Spindle Asm., RH
6	532 12 49-31	Washer Thrust 0.75 x 1.23
7	532 12 17-48	Washer 25/32 x 1-5/8 x 16 Ga.
8	812 00 00-29	Ring, Clip #T5304-75
9	532 12 12-32	Cap, Spindle
13	532 12 17-49	Washer 25/32 x 1-1/4 x 16 Ga.
14	810 04 06-00	Washer Lock 3/8
15	873 54 06-00	Nut, Crown Lock 3/8-24 unf
16	532 42 93-74	Shaft Steering
19	532 19 47-29	Plate Steering
20	532 41 12-91	Boot, Steering
21	532 18 67-37	Adapter, Wheel Steering
22	532 42 05-37	Strg. Supt. Lower
26	532 42 46-91	Insert, Wheel Steering
28	817 00 06-12	Screw 3/8-16 x 3/4
33	810 04 05-00	Washer Lock 5/16
35	532 19 47-32	Gear, Sector Plate
45	819 11 38-12	Washer 11/32 x 2-3/8 x 12 Ga.
53	532 18 89-67	Washer Hardened .793 x 1.637 x .060
57	532 40 74-65	Bracket Upstop
58	532 19 47-47	Bolt Shoulder Sector Pivot CFM
59	532 19 47-48	Washer Thrust Sector Steering
60	873 97 10-00	Nut Flange Lock 5/8-11
61	532 19 47-40	Draglink, LH
62	532 19 47-41	Draglink, RH
63	817 00 05-12	Screw 5/16-18 x 3/4
64	532 19 98-49	Retainer Clip Spring Steering
66	871 02 07-48	Bolt Hex Fghd 7/16-14 x 3 Serr
67	532 19 47-37	Bushing PM Front Axle
68	873 90 07-00	Nut Lock Flange 7/16-14 Gr. 5
69	532 19 91-62	Washer 1.5 x .505 x .118
70	532 19 61-97	Bracket Deck Susp. Front
71	532 19 07-52	Shaft Ext. Steering
72	532 42 89-82	Bolt 5/16-18 x 4 W/Patch
122	532 44 49-62	Cap Gear

**NOTE:** All component dimensions given in U.S. inches  
1 inch = 25.4 mm

**TRACTOR - - MODEL NUMBER PB20H42LT (96042014800), PRODUCT NO. 960 42 01-48  
MOWER DECK**



42\_D\_man-tex\_LT\_45

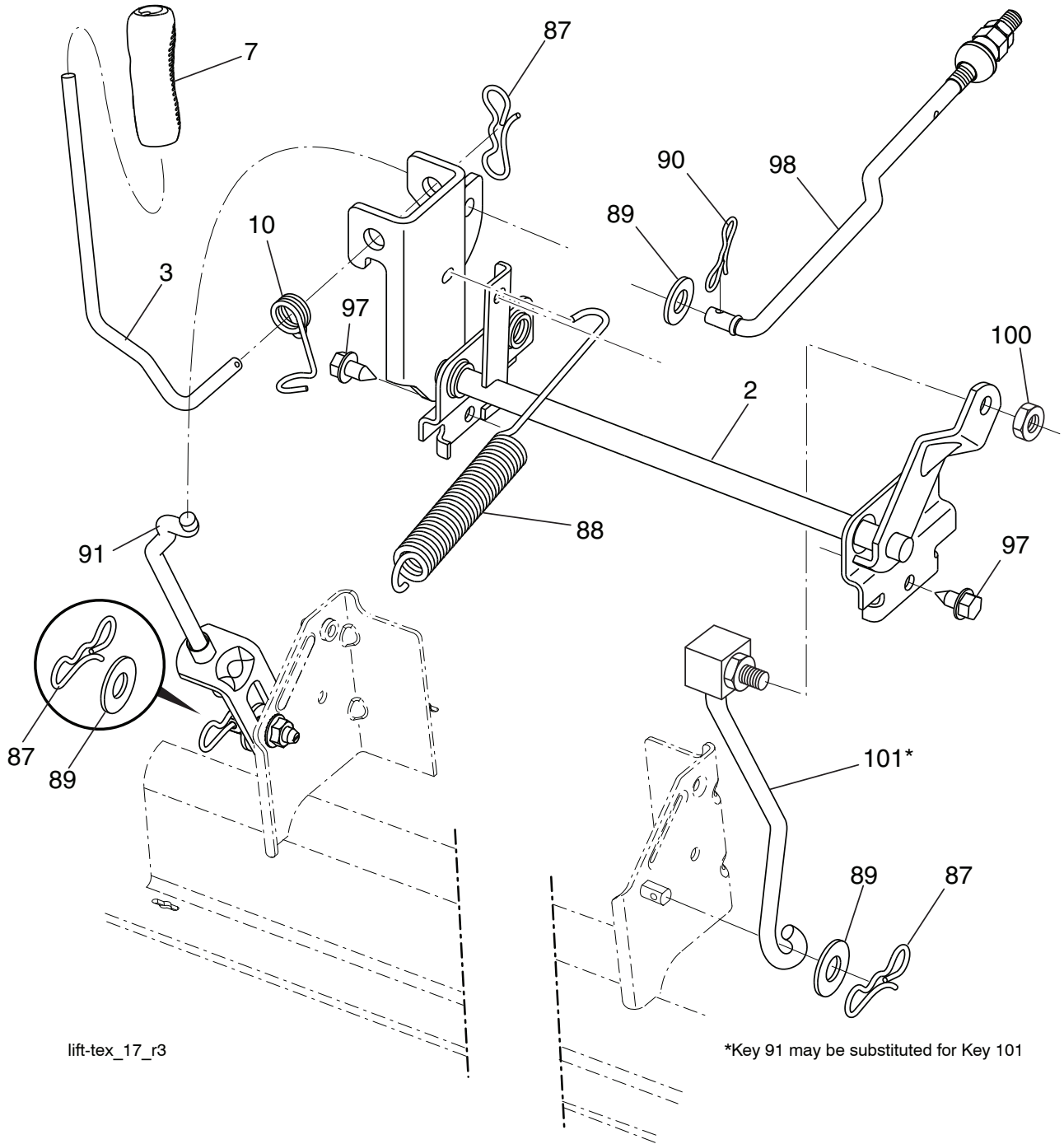
**TRACTOR - - MODEL NUMBER PB20H42LT (96042014800), PRODUCT NO. 960 42 01-48  
MOWER DECK**

<b>KEY NO.</b>	<b>PART NO.</b>	<b>DESCRIPTION</b>	<b>KEY NO.</b>	<b>PART NO.</b>	<b>DESCRIPTION</b>
1	532 19 64-95	Mower Housing	62	872 11 06-16	Bolt Rdhd Sqnk 3/8-16 unc x 2
6	532 19 51-86	Arm Suspension	63	532 19 94-77	Arm Brake Mower
7	532 41 63-58	Screw #10 x 0.750 BOS Thread	64	532 19 97-90	Linkage Brake
8	532 19 30-03	Bolt/Washer Asm 7/16-20 unf	67	532 40 30-12	Handle, Clutch Cable
11	532 13 89-71	Blade, 42" Hi-Lift (For bagging or discharge)	68	532 42 96-36	V-Belt
13	532 19 28-72	Shaft Assembly, Mandrel	69	872 14 05-05	Bolt Rdhd Sqnk 5/16-18 x 5/8
14	532 18 72-81	Housing, Mandrel	70	532 19 83-32	Clutch Asm. Manual
15	532 11 04-85	Bearing, Ball, Mandrel	113	817 00 05-10	Screw 5/16-18
19	532 19 65-39	Bolt, Shoulder	116	532 12 48-42	Bolt Shoulder
20	532 15 97-70	Baffle, Vortex	117	532 18 86-06	Wheel Gage
21	873 68 05-00	Nut, Crownlock 5/16-18 unc	122	532 19 72-58	Keeper Belt Eng. LH
23	532 19 25-57	Bracket, Deflector	123	532 19 72-59	Keeper Belt Eng. RH
24	532 10 53-04	Cap, Sleeve	144	532 19 92-04	Keeper Belt
25	532 19 70-26	Spring, Torsion, Deflector	145	532 19 31-97	Pulley Idler Primary
26	532 11 04-52	Nut, Push	147	532 40 19-71	Spring Return
27	532 40 30-04	Shield, Deflector	152	532 43 51-11	Cable Clutch Manual w/Spr.
29	532 13 14-91	Rod, Hinge	188	532 19 51-61	Stud Fastener
30	532 17 39-84	Screw Thdrol Rolling Wsh Hd	189	873 90 05-00	Nut Lock Hex Flange
31	532 18 76-90	Washer, Spacer	192	532 19 72-60	Bracket Brake Stand LH
32	532 19 74-73	Pulley, Mandrel	195	817 00 06-12	Screw Hexwsh Thdr 3/8-16 x 3/4
33	532 40 02-34	Nut, Toplock, Flanged	196	819 12 14-14	Washer 3/8 x 7/8 x 14 Ga.
34	872 11 06-12	Bolt Carr Sh. 3/8-16 x 1-1/2 Gr. 5	241	532 15 29-27	Screw #10-32.5. 3/8 Flange
36	532 19 73-79	Pulley, Idler 4.50 RAW	242	532 41 55-98	Port Washout
37	819 13 13-16	Washer 13/32 x 13/16 x 16 Ga.	--	532 41 64-05	Coupling Quick
38	532 43 25-20	Keeper Belt Mandrel	--	532 19 28-70	Mandrel Assembly (Includes hous- ing, shaft assembly, and bearing only - pulley/nut/washer and blade bolt/washers not included)
40	873 90 06-00	Nut, Lock Flg. 3/8-16 unc	--	532 43 77-30	Replacement Mower, Complete
42	532 19 84-10	Spring Torsion Brake			
43	532 19 72-56	Spring Torsion Retainer			
46	532 13 77-29	Screw Thd Roll 1/4-20 x 5/8			
47	532 19 72-50	Bracket Clutch Cable			
55	532 43 71-10	Arm, Idler			
56	532 19 90-92	Spacer, Retainer			
57	817 00 06-16	Screw Hexwsh Thd 3/8-16 x 1			
59	532 14 10-43	Guard, Tuv Idler (94)			
60	532 19 72-61	Arm Brake Mower			

**NOTE:** All component dimensions given in U.S. inches  
1 inch = 25.4 mm



**TRACTOR - - MODEL NUMBER PB20H42LT (96042014800), PRODUCT NO. 960 42 01-48  
MOWER LIFT**



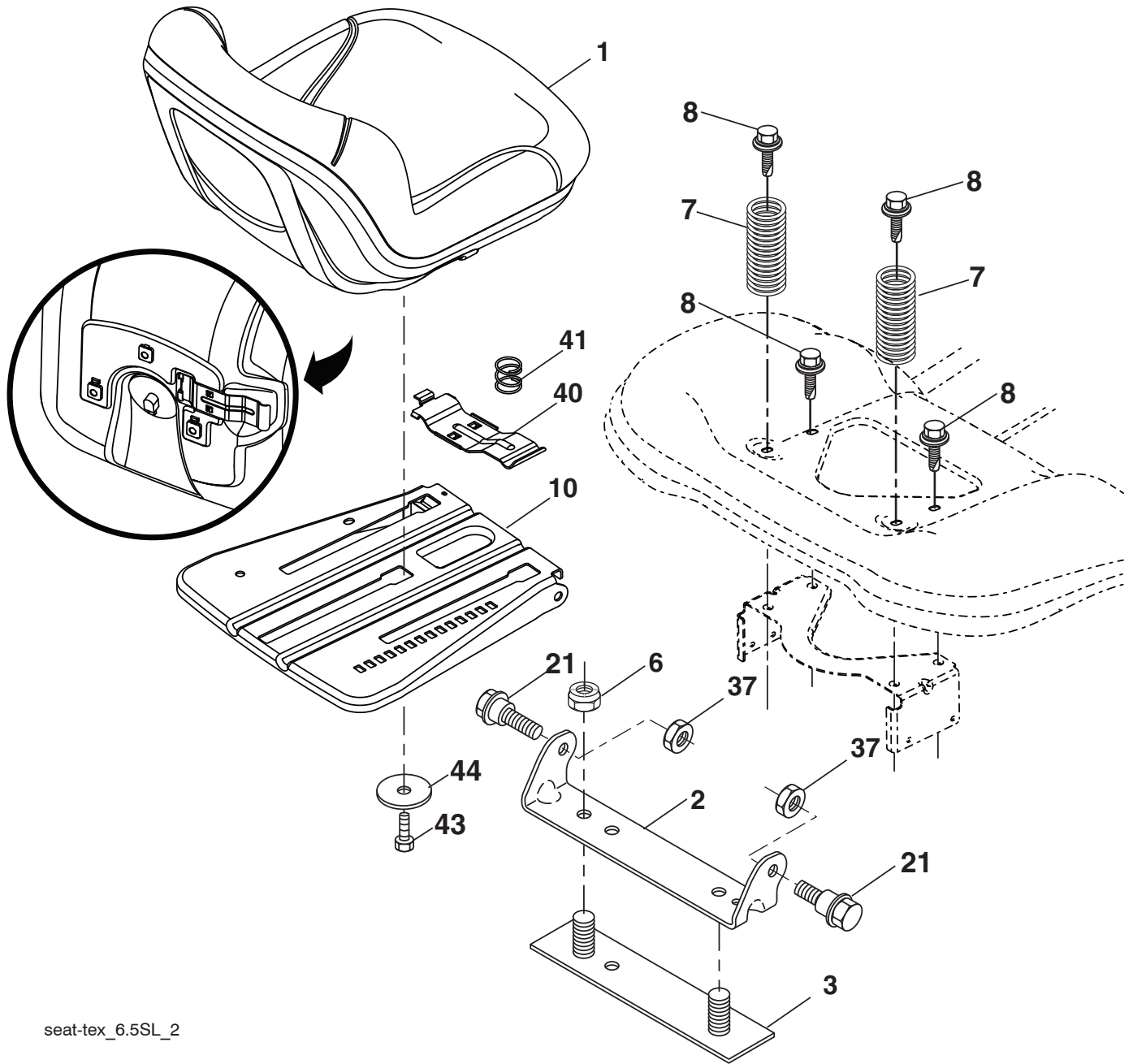
KEY NO.	PART NO.	DESCRIPTION
2	532 42 20-27	Shaft Asm., Cross Lift
3	532 19 52-31	Lever Asm., Lift RH
7	580 96 23-01	Grip, Lever
10	532 19 63-14	Spring Torsion
87	532 19 42-09	Pin Cotter 7/16 Bow Tie Lock
88	532 41 07-10	Spring Lift Assist
89	819 19 19-12	Washer Clear Zinc
90	532 19 42-08	Pin Cotter 5/16 Bow Tie Lock

KEY NO.	PART NO.	DESCRIPTION
91	532 19 51-81	Link Lift Susp Mower Rear
97	817 00 06-12	Screw 3/8-16 x .75 Smgml Tap/R.Z
98	532 19 52-70	Link Lift Susp. Front Mower
100	873 93 06-00	Nut Centerlock 3/8 -16 unc
101	532 40 70-03	Link Asm. Lift Fixed

**NOTE:** All component dimensions given in U.S. inches  
1 inch = 25.4 mm



**TRACTOR - - MODEL NUMBER PB20H42LT (96042014800), PRODUCT NO. 960 42 01-48  
SEAT**



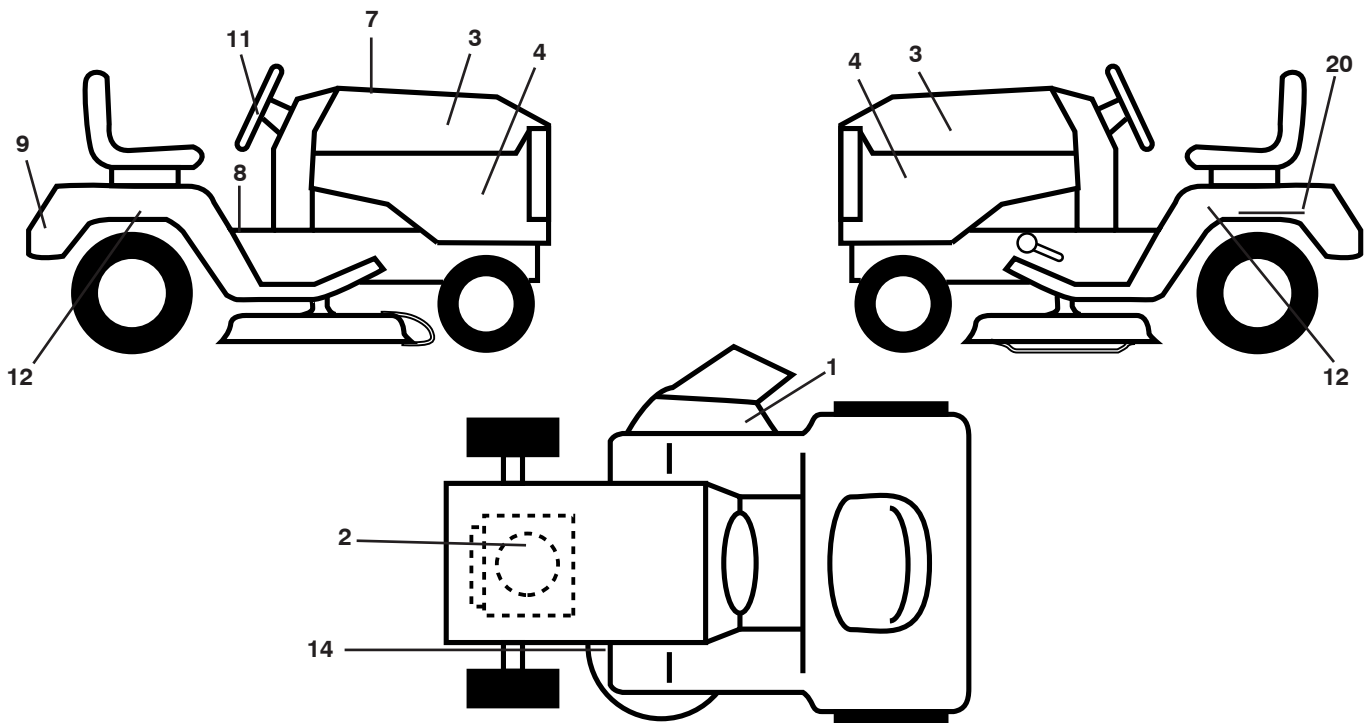
seat-tex\_6.5SL\_2

KEY NO.	PART NO.	DESCRIPTION
1	532 19 75-14	Seat
2	532 18 01-66	Bracket Pivot Fender
3	532 14 06-75	Strap, Asm Fender
6	873 80 06-00	Nut, Lock w/Ins. 3/8-16 unc
7	532 12 41-81	Spring, Seat Cprsn
8	532 17 18-77	Bolt 5/16-18 unc x 3/4 w/Sems
10	532 19 69-77	Pan, Seat
21	532 17 18-52	Bolt, Shoulder 5/16-18

KEY NO.	PART NO.	DESCRIPTION
37	873 80 05-00	Nut, Lock 5/16-18 unc
40	532 19 76-61	Handle Slide
41	532 19 82-00	Spring Latch
43	874 76 06-12	Bolt 3/8-16 unc x 3/4
44	819 13 38-12	Washer 13/32 x 2 3/8 x 12 Ga.

**NOTE:** All component dimensions given in U.S. inches  
1 inch = 25.4 mm

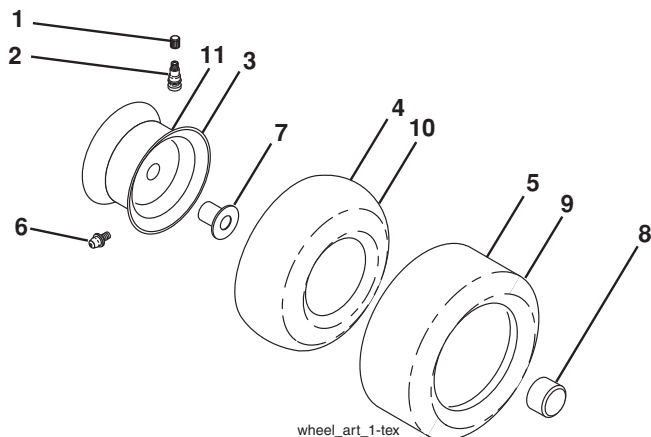
TRACTOR - - MODEL NUMBER PB20H42LT (96042014800), PRODUCT NO. 960 42 01-48



KEY NO.	PART NO.	DESCRIPTION
1	532 17 05-63	Decal, Mower Warning
2	532 42 95-51	Decal Eng. H.P.
3	532 44 52-35	Decal Hood
4	581 53 27-01	Decal Side Panel
7	581 50 34-01	Decal Replacement Parts
8	532 41 16-57	Decal Fender Warn S/F
9	532 44 52-34	Decal Fender Logo
11	532 43 85-01	Decal Ins Strg Whl

KEY NO.	PART NO.	DESCRIPTION
12	532 43 84-92	Decal Fend SD
14	532 16 03-96	Decal V-Belt Schematic
20	532 14 50-05	Decal Bat Dan/Psn
--	532 16 69-60	Decal Bypass
--	532 40 95-05	Pad Footrest LH
--	532 41 12-73	Pad Footrest RH
--	115 52 73-27	Manual Operator's (E/S)
--	583 97 12-33	Manual Parts (E/S)

WHEELS AND TIRES



KEY NO.	PART NO.	DESCRIPTION
1	532 05 91-92	Cap Valve Tire
2	532 06 51-39	Stem Valve
3	532 43 96-73	Rim Asm 6" Front
4	532 05 99-04	Tube Front (Service Item Only)
5	532 10 62-22	Tire F T 15 x 6 0 - 6
6	532 12 49-57	Fitting Grease
7	532 12 49-59	Bearing Flange (Front Wheel Only)
8	532 17 50-39	Cap Axle
9	532 13 84-68	Tire R T 20 x 8-8C
10	532 12 49-26	Tube Rear (Service Item Only)
11	532 44 08-81	Rim Asm 8" Rear Service
--	532 14 43-34	Sealant, Tire (Not Shown)

**NOTE:** All component dimensions given in U.S. inches  
1 inch = 25.4 mm

## LIMITED WARRANTY

The Manufacturer warrants to the original consumer purchaser that this product as manufactured is free from defects in materials and workmanship. For a period of two (2) years from date of purchase by the original consumer purchaser, we will repair or replace, at our option, without charge for parts or labor incurred in replacing parts, any part which we find to be defective due to materials or workmanship. This Warranty is subject to the following limitations and exclusions.

1. This warranty does not apply to the engine, transaxle/transmission components, battery (except as noted below) or components parts thereof. Please refer to the applicable manufacturer's warranty on these items.
2. Transportation charges for the movement of any power equipment unit or attachment are the responsibility of the purchaser. Transportation charges for any parts submitted for replacement under this warranty must be paid by the purchaser unless such return is requested by the manufacturer.
3. Battery Warranty: On products equipped with a Battery, we will replace, without charge to you, any battery which we find to be defective in manufacture, during the first ninety (90) days of ownership. After ninety (90) days, we will exchange the Battery, charging you 1/12 of the price of a new Battery for each full month from the date of the original sale. Battery must be maintained in accordance with the instructions furnished.
4. The Warranty period for any products used for rental or commercial purposes is limited to 90 days from the date of original purchase.
5. This Warranty applies only to products which have been properly assembled, adjusted, operated, and maintained in accordance with the instructions furnished. This Warranty does not apply to any product which has been subjected to alteration, misuse, abuse, improper assembly or installation, delivery damage, or to normal wear of the product.
6. Exclusions: Excluded from this Warranty are belts, blades, blade adapters, normal wear, normal adjustments, standard hardware and normal maintenance.
7. In the event you have a claim under this Warranty, you must return the product to an authorized service dealer.

Should you have any unanswered questions concerning this Warranty, please contact:

HOP  
Outdoor Products Customer Service Dept.  
9335 Harris Corners Parkway  
Charlotte, NC 28269 USA

In Canada contact:  
HOP  
5855 Terry Fox Way  
Mississauga, Ontario  
L5V 3E4

giving the model number, serial number and date of purchase of your product and the name and address of the authorized dealer from whom it was purchased.

THIS WARRANTY DOES NOT APPLY TO INCIDENTAL OR CONSEQUENTIAL DAMAGES AND ANY IMPLIED WARRANTIES ARE LIMITED TO THE SAME TIME PERIODS STATED HEREIN FOR OUR EXPRESSED WARRANTIES. Some areas do not allow the limitation of consequential damages or limitations of how long an implied Warranty may last, so the above limitations or exclusions may not apply to you. This Warranty gives you specific legal rights, and you may have other rights which vary from locale to locale.

This is a limited Warranty within the meaning of that term as defined in the Magnuson-Moss Act of 1975.

# Poulan PRO

## PARTS AND SERVICE

This product has been expertly engineered and carefully manufactured to rigid quality standards. As with all mechanical products, some adjustments or part replacement may be necessary during the life of your unit.

For Parts and service, contact our authorized distributor: call 1-800-849-1297

- For replacement parts, have available the following information:
  - a. Model Number/Manufacturer's I.D. Number
  - b. Description of part.

For Technical Assistance: call 1-800-829-5886

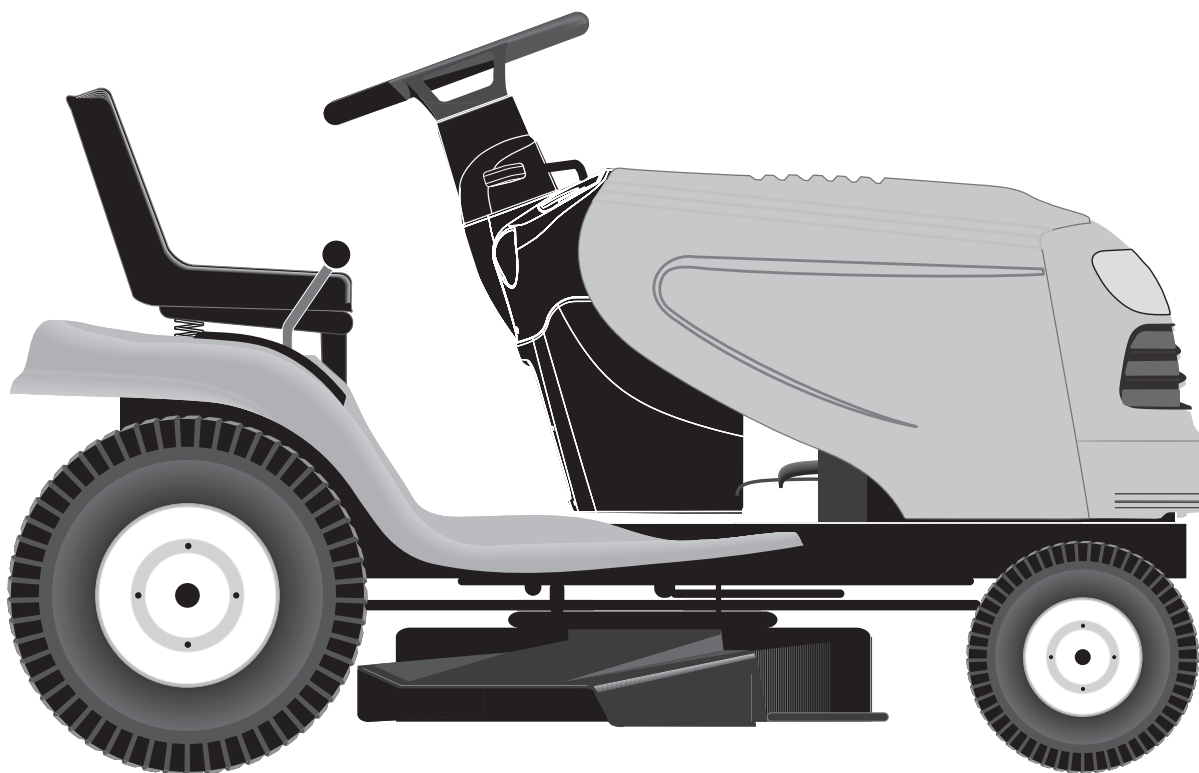
For a Parts Manual, go to our website: [www.poulanpro.com](http://www.poulanpro.com)

**NOTE:** HOP provides parts and service through its authorized distributors and dealers; therefore, all requests for parts and service should be directed to your local dealer(s). The philosophy of HOP is to continually improve all of its products. If the operating characteristics or the appearance of your product differs from those described in this Manual, please contact your local dealer for updated information and assistance.

MANUAL IMPORTANTE

NO TÍRALO A FUERA

# Poulan PRO



**MANUAL DE REPUESTOS**

**MODELO:**

**PB20H42LT**

**TRACTOR PARA CÉSPED**

**SIEMPRE USE PROTECCIONES PARA LOS OJOS MIENTRAS OPERE ESTE TRACTOR**

Vea la página web: [www.poulanpro.com](http://www.poulanpro.com)

**ADVERTENCIA:**

Leer, entender y seguir todas las instrucciones sobre la máquina y en el manual antes de empezar. Si no se observan las instrucciones de seguridad siguientes se pueden producir lesiones graves o la muerte.

583 97 12-33 Rev. 2

02.21.13 BD  
Impreso en los E.U.

# COMO UTILIZAR ESTE MANUAL

Este manual está diseñado para brindarle al comprador un medio para identificar las piezas del tractor para cuando necesite hacer el pedido de un repuesto. Las ilustraciones pueden o no representar los ensambles reales; por lo tanto, no se recomienda utilizar este manual como una guía para ensamblar o desarmar el tractor. Algunos accesorios y piezas están dibujados en tamaños más grandes para identificarlos con mayor facilidad.

Cada tractor tiene su propio número de modelo.

El número de modelo del tractor se encuentra en el guardabarros debajo del asiento.

Cuando haga el pedido de una pieza, siempre brinde la siguiente información:

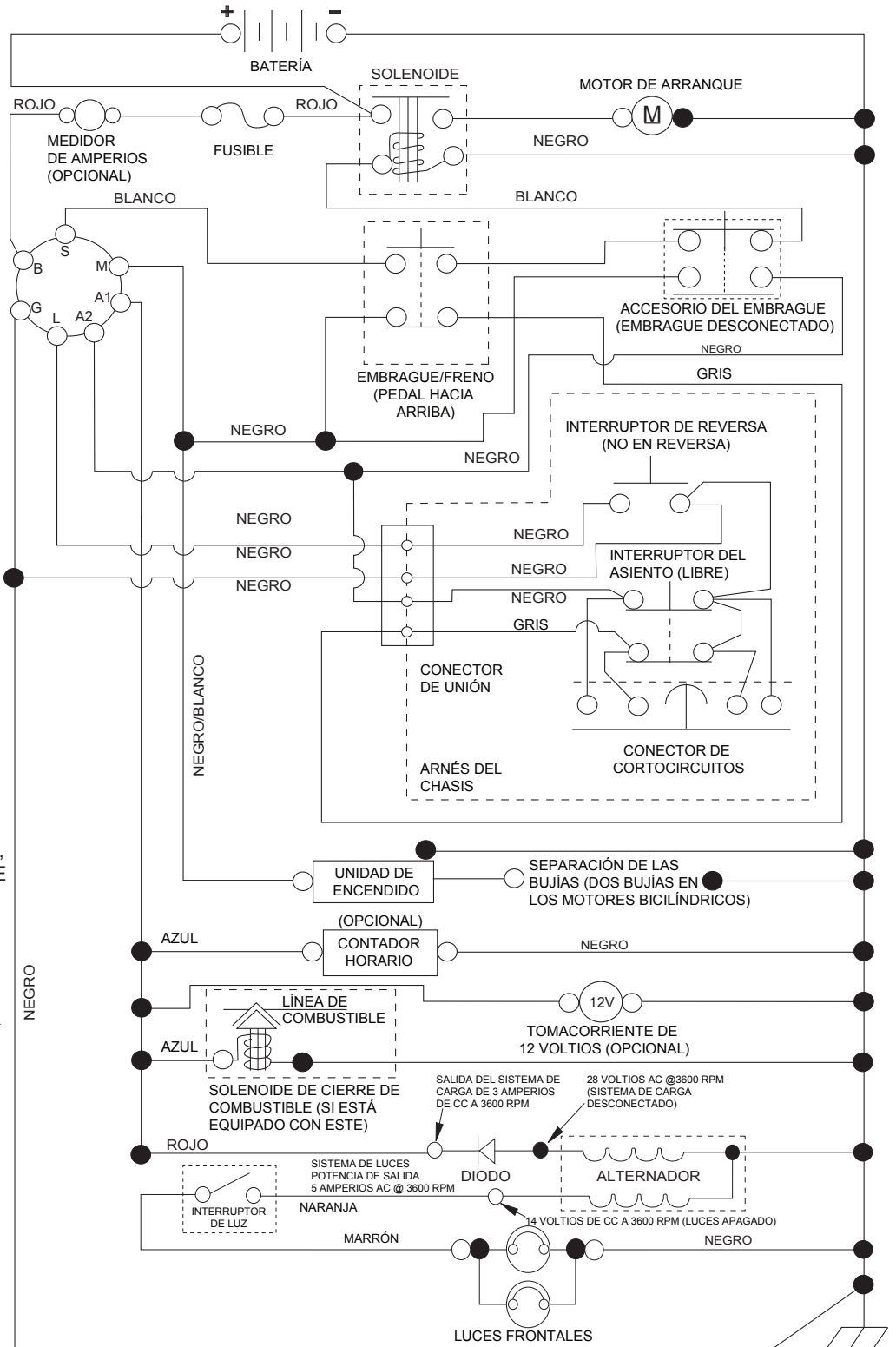
- Producto: "TRACTOR"
- NÚMERO DE MODELO: "PB20H42LT (96042014800)"
- Número de pieza
- Descripción de la pieza

## ÍNDICE

DIAGRAMA.....	3
DIAGRAMA ELÉCTRICO .....	4-5
CHASIS.....	6-7
TRANSMISIÓN .....	8-9
MOTOR .....	10-11
DIRECCIÓN .....	12-13
PLATAFORMA DE LA CORTADORA DE CÉSPED.....	14-15
ELEVACIÓN DE LA CORTADORA DE CÉSPED.....	16
ASIENTO.....	17
CALCOMANÍAS.....	18
GARANTÍA.....	19
PARTES Y SERVICIOS .....	20

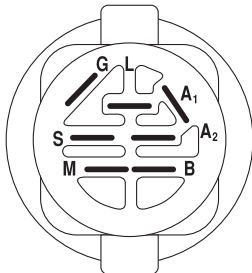
# TRACTOR - - MODELO NO. PB20H42LT (96042014800), PRODUCT NO. 960 42 01-48 DIAGRAMA

SCH11-s



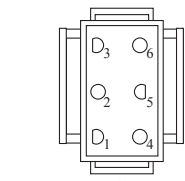
## NOTAS:

QUE SU TRACTOR ES EQUIPADO CON UN SISTEMA ESPECIAL DE ALTERNADOR. LAS LUCES NO SON CONECTADAS A LA BATERIA, PERO TIENEN SU PROPIA FUENTE ELECTRICA. A CAUSA DE ESTO, EL BRILLO DE LAS LUCES CAMBIARA CON LA VELOCIDAD DE MOTOR. EN LENTO, LAS LUCES NO SON COMO BRILLANTES. CUANDO EL MOTOR ES ACELERADO, LA LUZ CONSEGUIRÁ MÁS BRILLANTE.

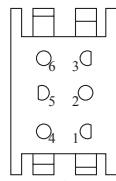


INTERRUPTOR DE ENCENDIDO

POSICIÓN	CIRCUITO «MARCA»
APAGADO	M+G+A1
PONER EN FUNCIONAMIENTO/ANULAR	B+A1
PONER EN FUNCIONAMIENTO	B+A1 L+A2
ARRANCAR	B + S + A1



CONEXIÓN DEL ARNÉS DEL CHASIS (LATERAL QUE COINCIDA)



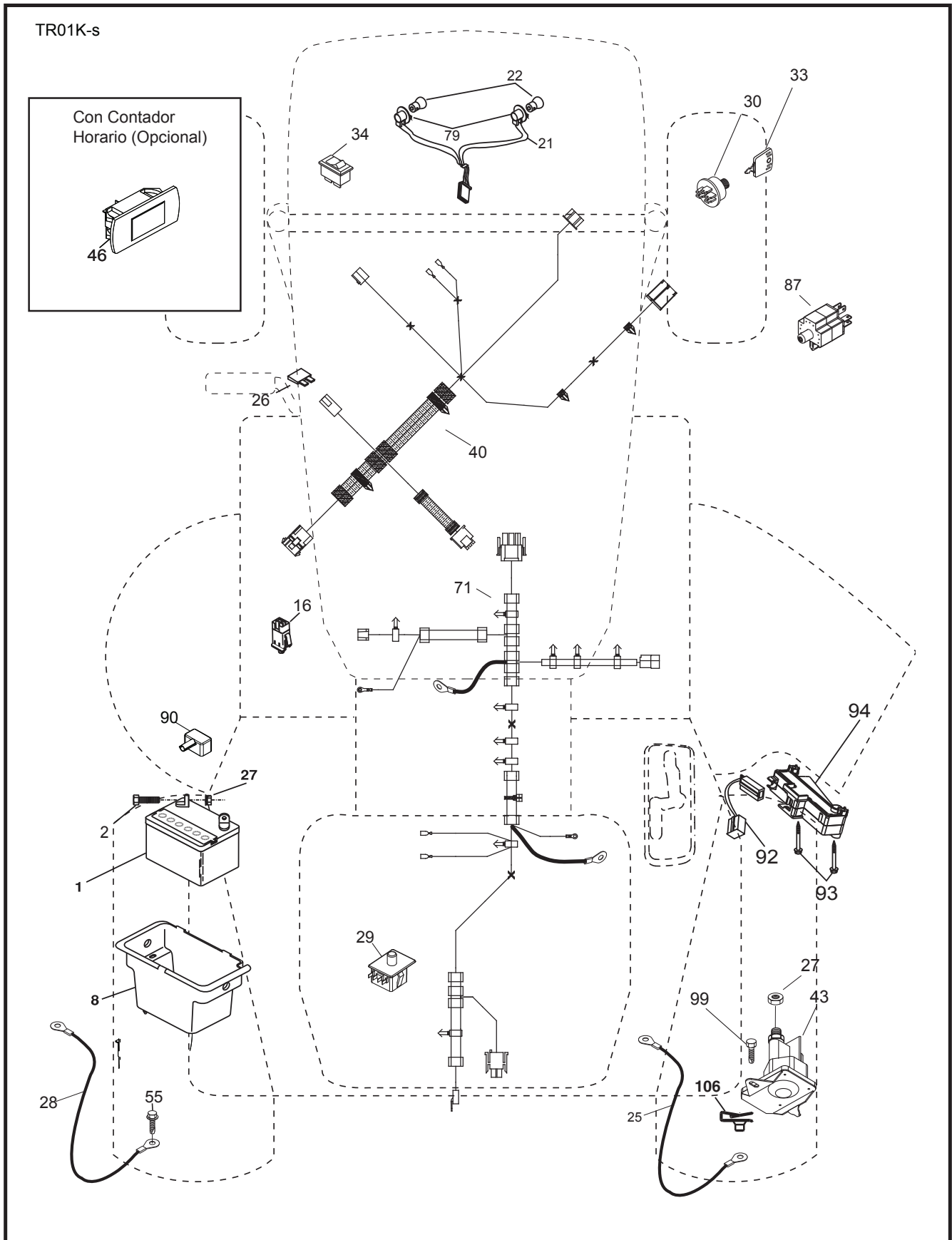
CONEXIÓN PARA EL ARNÉS DEL TABLERO (LATERAL QUE COINCIDA)

NOTA SOBRE LAS ABRAZADERAS DE AISLAMIENTO DEL CABLEADO: SI SE QUITAN LAS ABRAZADERAS DE AISLAMIENTO DEL CABLEADO PARA HACER EL MANTENIMIENTO DE LA UNIDAD, SE LAS DEBERÁ INSTALAR NUEVAMENTE PARA PROTEGER EL CABLEADO ADECUADAMENTE.

● CONEXIONES NO DESMONTABLES

○ CONEXIONES DESMONTABLES

**TRACTOR - - MODELO NO. PB20H42LT (96042014800), PRODUCT NO. 960 42 01-48**  
**DIAGRAMA ELÉCTRICO**



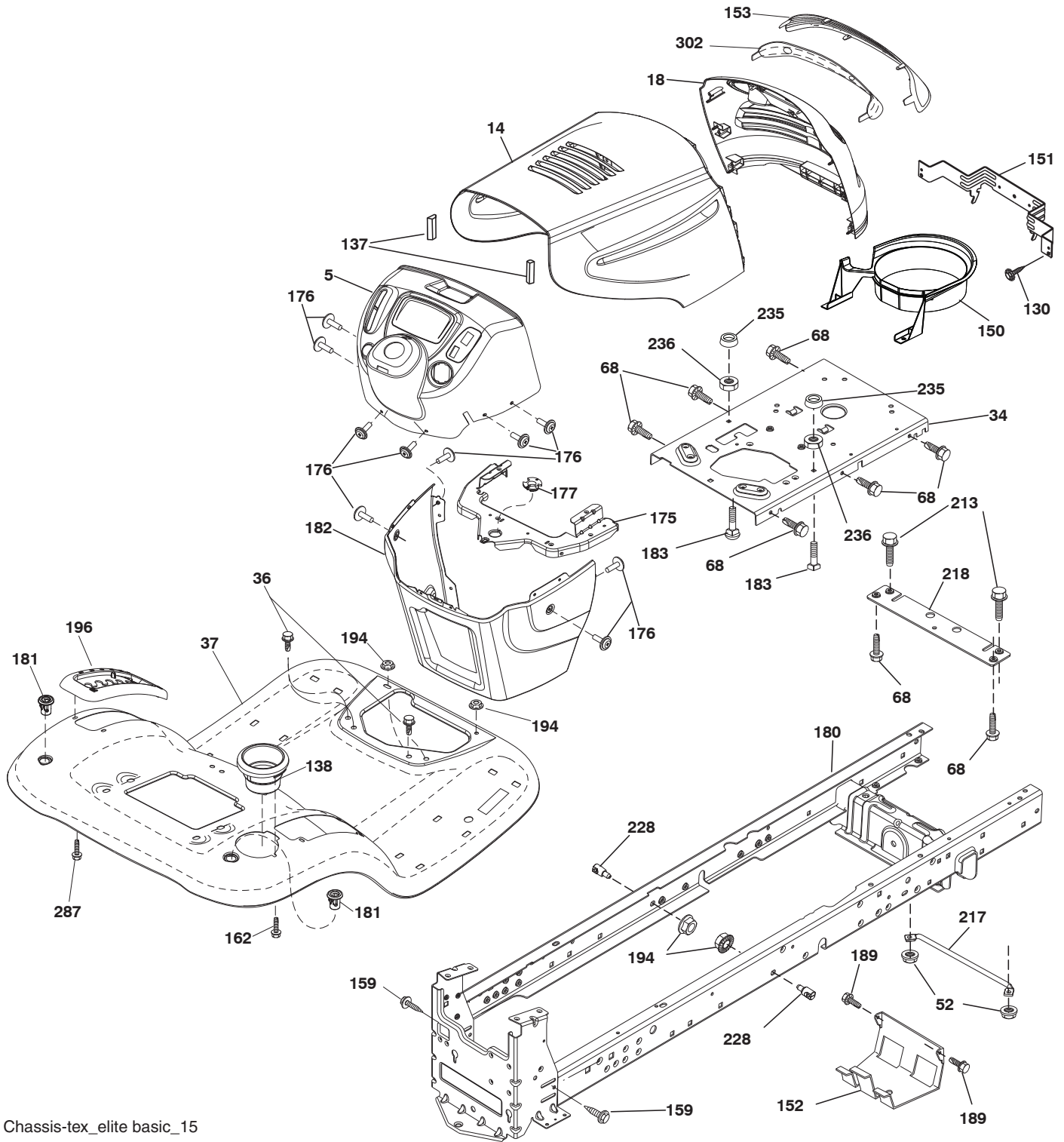


**TRACTOR - - MODELO NO. PB20H42LT (96042014800), PRODUCT NO. 960 42 01-48  
DIAGRAMA ELÉCTRICO**

CÓDIGO PIEZA		DESCRIPCIÓN
No.	No.	
1	532 16 34-65	Batería
2	874 76 04-12	Perno 1/4-20 x 3/4
8	532 19 32-28	Caja de la batería
16	532 17 61-38	Interruptor
21	532 18 37-59	Arnés con 4152j
22	532 00 41-52	Luz
25	581 49 80-01	Cable encendido
26	532 17 51-58	Fusible
27	873 51 04-00	Tuerca 1/4-20 unc
28	532 42 16-86	Cable a tierra
29	532 40 15-45	Interruptor del asiento
30	532 19 33-50	Interruptor de encendido
33	532 41 19-33	Llave/cadena
34	532 11 07-12	Interruptor de luz/de restauración
40	581 02 31-01	Cableado del tablero de encendido
43	532 19 25-07	Solenoides
55	817 06 05-12	Tornillo 5/16-18 x 3/4
71	581 02 30-01	Solenoides Chasis
79	532 17 52-42	Enchufe de cierre por torsión del ensamble de la bombilla
87	532 19 78-02	Interruptor corta corriente del cable de embrague
90	532 43 53-95	Tapa de los bornes de la batería
92	532 19 66-15	Cableado
93	532 19 25-40	Tornillo 10-14 x 2.0
94	532 19 18-34	Module Reverse ROS
99	817 67 04-12	Tornillo
106	532 17 48-14	Tuerca

**NOTA:** Las dimensiones de todos los componentes están expresadas en pulgadas americanas. 1 pulgada = 25,4 mm

**TRACTOR - - MODELO NO. PB20H42LT (96042014800), PRODUCT NO. 960 42 01-48**  
**CHASIS**



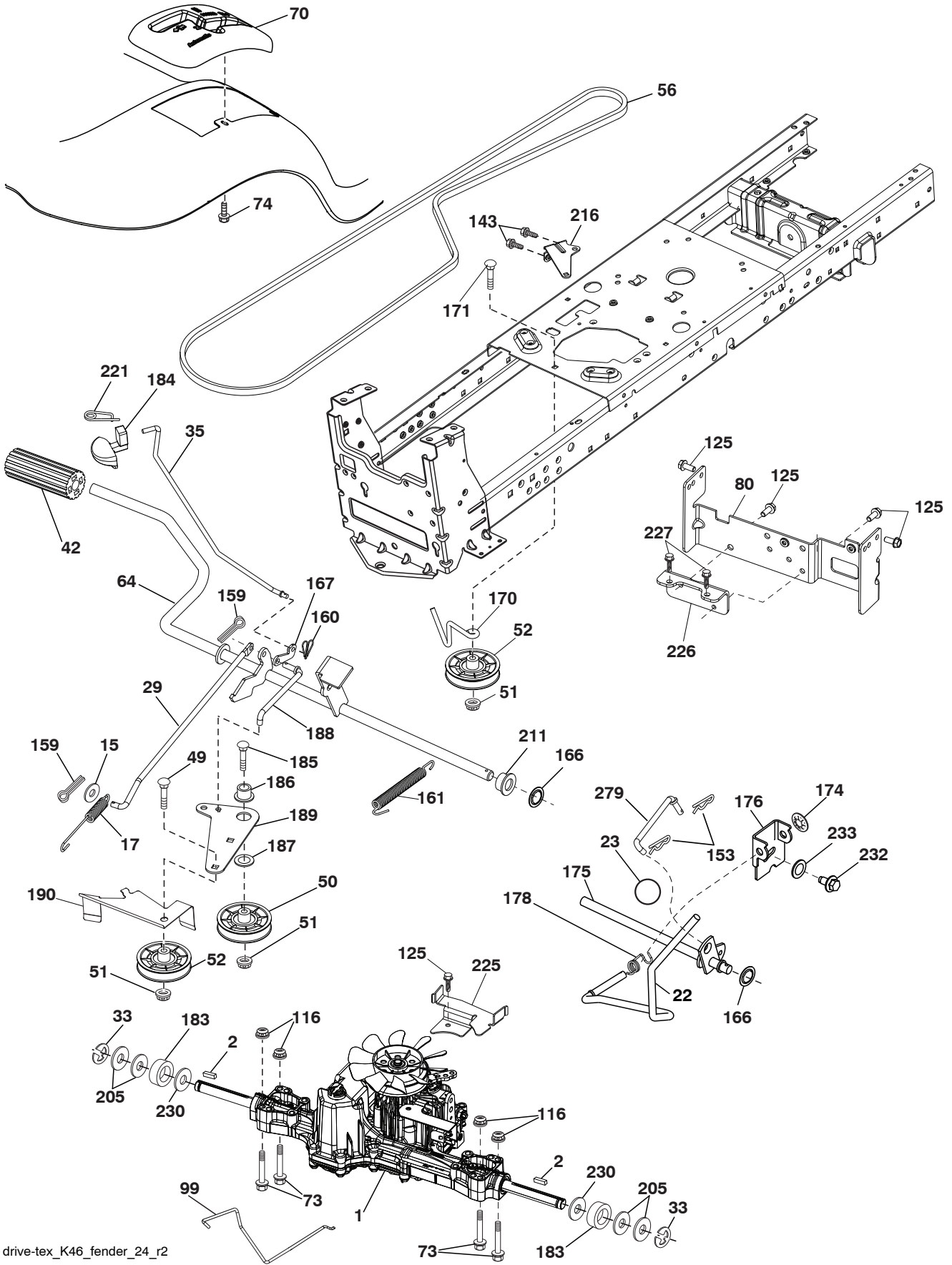
Chassis-tex\_elite basic\_15

**TRACTOR - - MODELO NO. PB20H42LT (96042014800), PRODUCT NO. 960 42 01-48  
CHASIS**

<b>CÓDIGO No.</b>	<b>PIEZA No.</b>	<b>DESCRIPCIÓN</b>
5	532 41 17-64	Tablero
14	532 18 58-47	Capota
18	532 42 67-92	Parrilla
34	580 91 08-01	Chapa Motor
36	817 06 05-12	Tornillo 5/16-18 x 3/4
37	532 43 65-23	Guardabarros
52	873 68 05-00	Tuerca 5/16
68	817 49 05-08	Tornillo 5/16-18 x 1/2
130	532 41 63-58	Tornillo
137	532 18 49-21	Cubierta Tablero
138	532 40 97-30	Portavasos
150	532 18 44-61	Cubierta térmica del conducto
151	532 40 78-07	Soporte
152	532 19 95-35	Protector contra oscurecimiento
153	532 18 98-37	Parrilla de la lente
159	817 00 06-12	Tornillo 3/8-16 x 3/4
162	532 14 24-32	Tornillo 1/4 X 1/2
175	532 19 32-43	Travesaño
176	532 40 07-76	Tornillo 10-24 x 5/8
177	532 19 52-28	Buje de dirección
180	532 19 54-57	Chasis
181	532 40 47-96	Buje de soporte del guardabarros de carga
182	532 19 30-57	Tablero inferior
183	874 52 05-20	Perno 5/16-18 x 1-1/4
189	817 00 05-12	Tornillo 5/16-18 x 3/4
194	873 90 05-00	Tuerca 5/16-18
196	532 41 45-79	Ensamble de la consola de la plataforma de elevación
213	874 76 05-12	Perno 5/16-18 x 3/4
217	532 40 91-67	Varilla giratoria
218	532 19 63-95	Tope
228	532 19 51-61	Sujetador del travesaño
235	532 40 61-29	Separador del guardabarros
236	873 93 05-00	Tuerca 5/16-18 unc
287	817 60 04-06	Screw Hex Washhead 1/4-20 X 3/8
302	532 18 38-23	Inserte la lente reflexiva

**NOTA:** Las dimensiones de todos los componentes están expresadas en pulgadas americanas. 1 pulgada = 25,4 mm

TRACTOR - - MODELO NO. PB20H42LT (96042014800), PRODUCT NO. 960 42 01-48  
TRANSMISIÓN



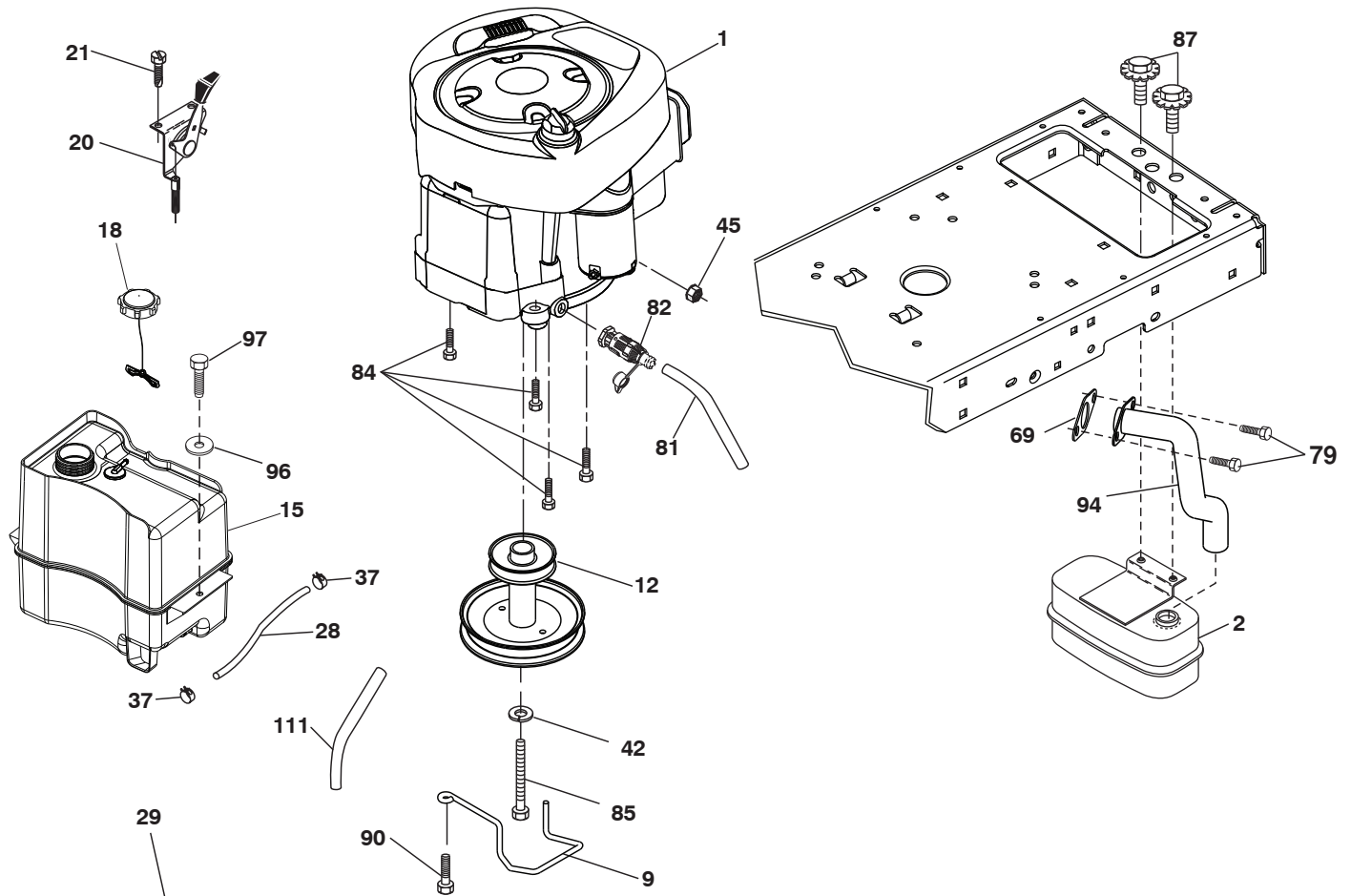
drive-tex\_K46\_fender\_24\_r2

**TRACTOR - - MODELO NO. PB20H42LT (96042014800), PRODUCT NO. 960 42 01-48  
TRANSMISIÓN**

CÓDIGO PIEZA		DESCRIPCIÓN	CÓDIGO PIEZA		DESCRIPCIÓN
No.	No.		No.	No.	
1	---	Transeje, Tufftorq K46 BA (448348)(Haga el pedido de las piezas al fabricante del transeje.)	167	532 40 52-57	Pestillo del freno de mano
2	532 12 35-83	Cuña	170	532 19 43-22	Sujetador de la correa central
15	819 13 13-16	Arandela 13/32 x 13/16 x 16 Ga.	171	872 11 06-16	Perno 3/8-16 x 2
17	532 41 36-78	Resorte de freno	174	532 19 72-89	Tuerca
22	532 19 76-60	Varilla	175	532 40 62-08	Asamblea de túnel
23	532 14 08-45	Perilla	176	532 19 62-14	Brazo
29	532 40 38-06	Varilla del freno	178	532 19 74-56	Resorte
33	812 00 00-01	Aro "E"	183	532 13 70-57	Separador del eje
35	532 19 77-22	Varilla del freno de mano	184	532 44 15-04	Manija del freno de mano
42	532 12 48-72	Cubierta del pedal	185	872 11 06-22	Perno
49	872 11 06-14	Perno	186	532 19 43-21	Espaciador de retención
50	532 19 43-27	Polea loca plana	187	819 13 32-10	Arandela
51	873 90 06-00	Tuerca 3/8-16	188	532 19 43-23	Mecanismo de desplazamiento de la varilla de mando del embrague
52	532 19 43-26	Polea loca con ranura en V con un desplazamiento	189	532 19 43-17	Palanca acodada del mecanismo de desplazamiento
56	532 13 09-69	Correa trapezoidal de la transmisión	190	532 19 43-18	Sujetador de la palanca acodada del mecanismo de desplazamiento
64	532 19 62-00	Ensamble del eje Control del pedal de freno	205	532 12 17-48	Arandela 25/32 x 1-5/8 x 16 Ga.
70	532 41 13-29	Consola	211	532 19 62-12	Buje
73	874 49 05-44	Perno 5/16-18 2-1/2	216	532 19 61-31	Soporte
74	532 14 24-32	Tornillo 1/4 x 1/2	221	532 40 31-87	Abrazadera de retención del resorte de la manija
80	532 44 06-19	Correa de torsión	225	532 40 33-19	Sujetador
99	532 41 57-42	Varilla del ensamble con resorte de desviación	226	532 40 15-64	Soporte
116	873 90 05-00	Tuerca 5/16-18	227	817 49 05-12	Tornillo 5/16-18 x 3/4
125	817 00 05-12	Tornillo 5/16-18 x 3/4	230	532 18 89-67	Arandela
143	817 49 05-08	Tornillo 5/16-18 x 1/2	232	874 78 07-16	Perno 7/16-14 x 1 Gr. 5
153	532 12 47-88	Retén del resorte 1"	233	532 40 52-96	Arandela
159	876 02 04-12	Pasador de chaveta de 1/8 x 3/4	279	532 40 62-07	Mecanismo
160	532 16 94-84	Abrazadera de retención			
161	532 10 57-09	Resorte de retorno del embrague			
166	532 42 91-64	Tuerca .625			

**NOTA:** Las dimensiones de todos los componentes están expresadas en pulgadas americanas. 1 pulgada = 25,4 mm

**TRACTOR - - MODELO NO. PB20H42LT (96042014800), PRODUCT NO. 960 42 01-48  
MOTOR**



**EQUIPO  
APAGACHISPAS**

engine-tex\_BS\_64

**TRACTOR - - MODELO NO. PB20H42LT (96042014800), PRODUCT NO. 960 42 01-48  
MOTOR**

<b>CÓDIGO No.</b>	<b>PIEZA No.</b>	<b>DESCRIPCIÓN</b>
1	-- -- -- --	Motor Briggs Model No. 331777-2372-G5 (438212) (Haga el pedido de las piezas al fabricante del motor.)
2	532 18 86-55	Silenciador
9	532 19 43-20	Ensamble del sujetador de la correa del motor
12	532 40 54-71	Polea del motor
15	532 43 30-03	Tanque de combustible
18	532 43 85-96	Ensamble de la tapa
20	532 17 05-45	Control del regulador
21	532 41 63-58	Tornillo No. 10 x 0,75 con rosca reforzada
28	532 40 11-37	Línea de combustible
29	532 13 71-80	Equipo apagachispas
37	532 12 34-87	Abrazadera de la manguera
42	810 04 07-00	Arandela de presión de 7/16
45	873 51 04-00	Tuerca Keps de 1/4-20 unc
69	532 16 52-91	Junta
79	532 19 23-34	Tornillo de 5/16-18 x 3/4
81	532 14 84-56	Tubo de fácil drenaje de aceite
82	532 42 82-87	1álvula del drenaje de aceite
84	817 06 06-20	Tornillo de 3/8-16 x 1/4
85	532 17 39-37	Perno de 7/16-20 x 4 Gr. 5
87	532 17 18-77	Perno de 5/16-18 unc x 3/4 w/sems
90	817 00 06-16	Tornillo de 3/8-16 x 1
94	532 40 54-50	Tubo de escape
96	819 09 14-16	Arandela de 9/32 x 7/8 x 16 Ga.
97	817 67 04-12	Tornillo de 1/4-20 x 3/4
111	532 41 41-19	Línea de purge

**NOTA:** Las dimensiones de todos los componentes están expresadas en pulgadas americanas. 1 pulgada = 25,4 mm

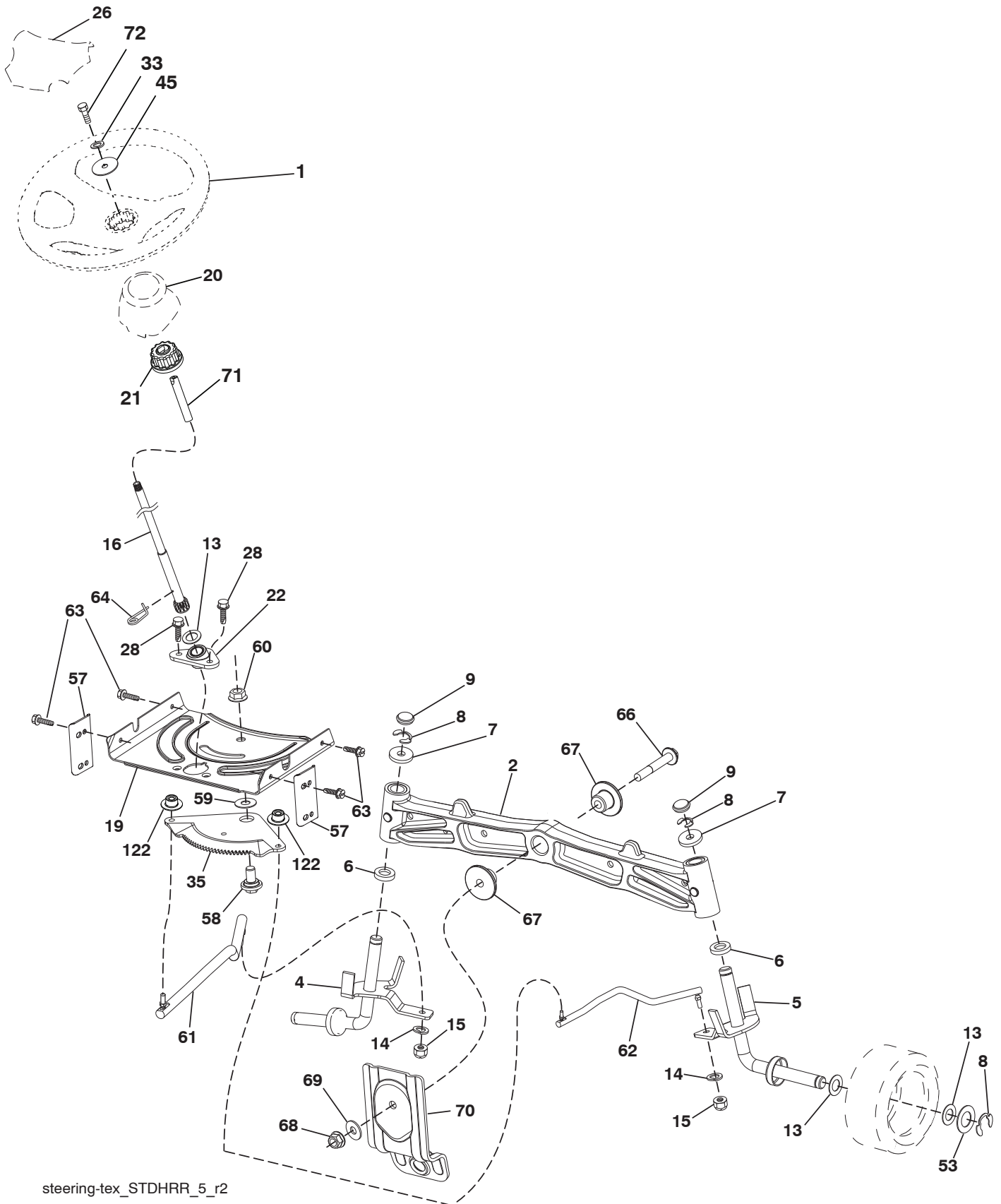
Para el servicio de motor y repuestos, llame el número de llamada gratuita para su fabricante de motor listó abajo:

Briggs & Stratton                      1-800-233-3723

**Información de Clasificación de Potencia del Motor**

La clasificación de potencia para un modelo de motor a gas en particular se designa de acuerdo al código J1940 de SAE (Sociedad de Ingenieros Automotrices) (Procedimiento de Clasificación de Potencia & Torque del Motor Pequeño), y la clasificación de desempeño ha sido obtenida y corregida de acuerdo con el código J1995 de SAE (Revisión 2002-05). Los valores de torque se obtienen a 3060 RPM; los valores de potencia se obtienen a 3600 RPM. La potencia bruta actual del motor será inferior y está afectada, entre otras cosas, por las condiciones ambientales operativas y la variabilidad de motor a motor. Dado ambos un amplio conjunto de productos en los cuales son puestos nuestros motores, y la variedad de emisiones ambientales aplicables al operar el equipo, el motor a gas no desarrollará la potencia nominal cuando sea usado en una parte del equipo acoplado (potencia real "en el-sitio" o potencia neta). Esta diferencia se debe a una variedad de factores que incluyen, pero que no están limitados a, accesorios (filtro de aire, sistema de escape, sistema de carga, sistema de enfriamiento, carburador, bomba de combustible, etc.) limitaciones de la aplicación, condiciones ambientales de operación (temperatura, humedad, altitud), y la variabilidad de motor a motor. Debido a las limitaciones, Briggs & Stratton puede sustituir este motor con clasificación de potencia más alta por esta serie de motor.

**TRACTOR - - MODELO NO. PB20H42LT (96042014800), PRODUCT NO. 960 42 01-48**  
**ENSAMBLE DE LA DIRECCIÓN**



steering-tex\_STDHRR\_5\_r2

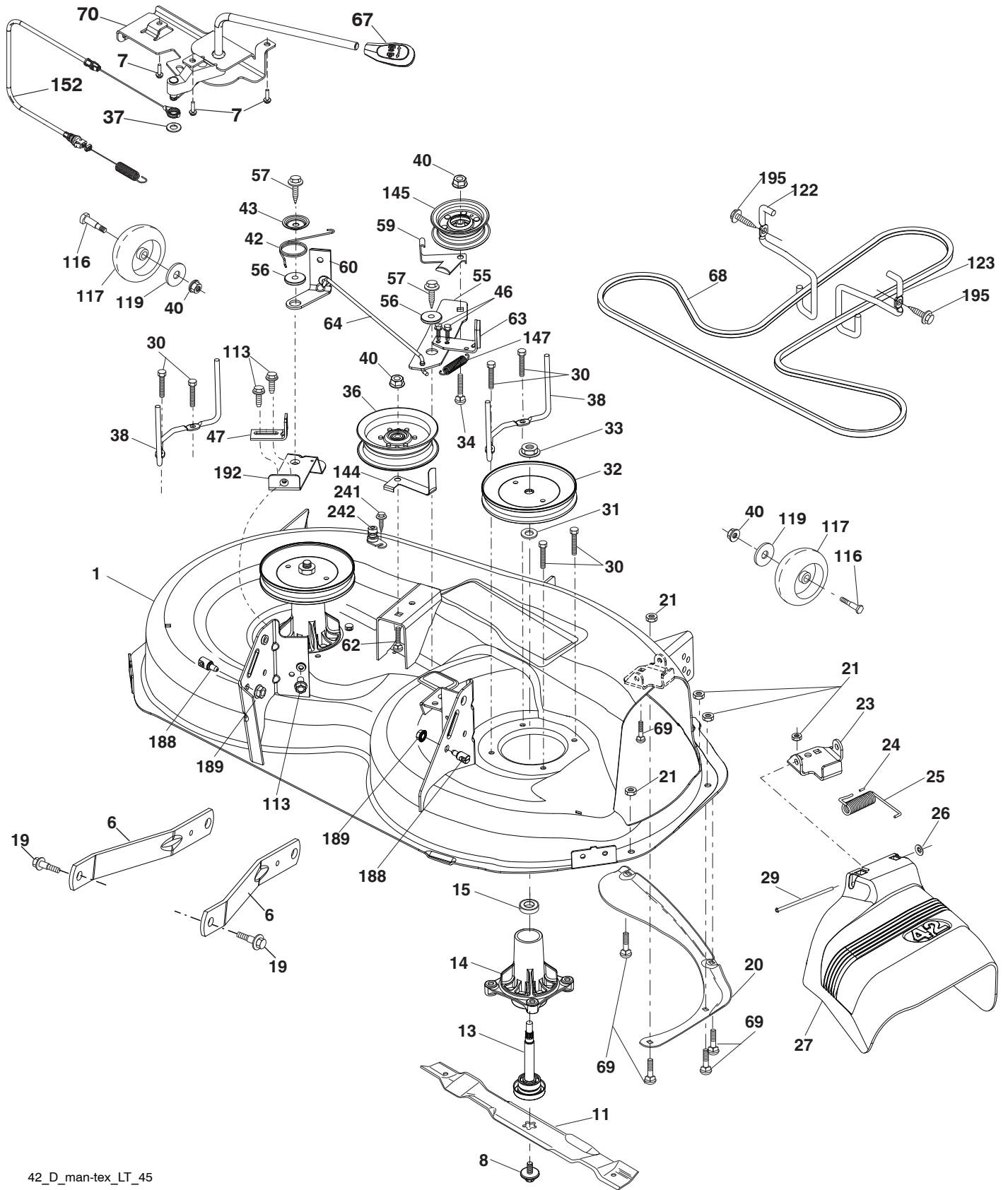


**TRACTOR - - MODELO NO. PB20H42LT (96042014800), PRODUCT NO. 960 42 01-48  
ENSAMBLE DE LA DIRECCIÓN**

<b>CÓDIGO No.</b>	<b>PIEZA No.</b>	<b>DESCRIPCIÓN</b>
1	532 42 45-43	Volante de dirección
2	532 19 59-68	Ensamble del eje delantero
4	532 40 30-87	Ensamble del husillo izquierdo
5	532 40 30-88	Ensamble del husillo derecho
6	532 12 49-31	Pista del rodamiento para reforzar el impulso
7	532 12 17-48	Arandela 25/32 x 1-5/8 x 16 Ga.
8	812 00 00-29	Abrazadera del aro No. T5304-75
9	532 12 12-32	Tapa del husillo
13	532 12 17-49	Arandela 25/32 x 1-1/4 x 16 Ga.
14	810 04 06-00	Arandela 3/8
15	873 54 06-00	Tuerca 3/8-24 unf
16	532 42 93-74	Eje de dirección
19	532 19 47-29	Placa de dirección
20	532 41 12-91	Cubierta de la dirección
21	532 18 67-37	Adaptador del volante de dirección
22	532 42 05-37	Soporte del volante de dirección
26	532 42 46-91	Inserto del volante de dirección
28	817 00 06-12	Tornillo 3/8-16 x 3/4
33	810 04 05-00	Arandela 5/16
35	532 19 47-32	Engranaje del sector de la placa
45	819 11 38-12	Arandela 9/16 ID x 2-3/8 OD 12
53	532 18 89-67	Arandela .793 x 1.637 x .060
57	532 40 74-65	Tope superior del soporte
58	532 19 47-47	Perno
59	532 19 47-48	Arandela
60	873 97 10-00	Tuerca 5/8-11
61	532 19 47-40	Barra de acoplamiento izquierda
62	532 19 47-41	Barra de acoplamiento derecha
63	817 00 05-12	Tornillo 5/16-18 x 3/4
64	532 19 98-49	Abrazadera de retención del resorte de la dirección
66	871 02 07-48	Perno 7/16-14 x 3 Serr
67	532 19 47-37	Buje
68	873 90 07-00	Tuerca 7/16-14 Gr. 5
69	532 19 91-62	Arandela 1.5 x .505 x .118
70	532 19 61-97	Soporte
71	532 19 07-52	Eje del manejo
72	532 42 89-82	Perno 5/16-18 x 4
122	532 44 49-62	Tapas

**NOTA:** Las dimensiones de todos los componentes están expresadas en pulgadas americanas. 1 pulgada = 25,4 mm

TRACTOR - - MODELO NO. PB20H42LT (96042014800), PRODUCT NO. 960 42 01-48  
PLATAFORMA DE LA CORTADORA DE CÉSPED



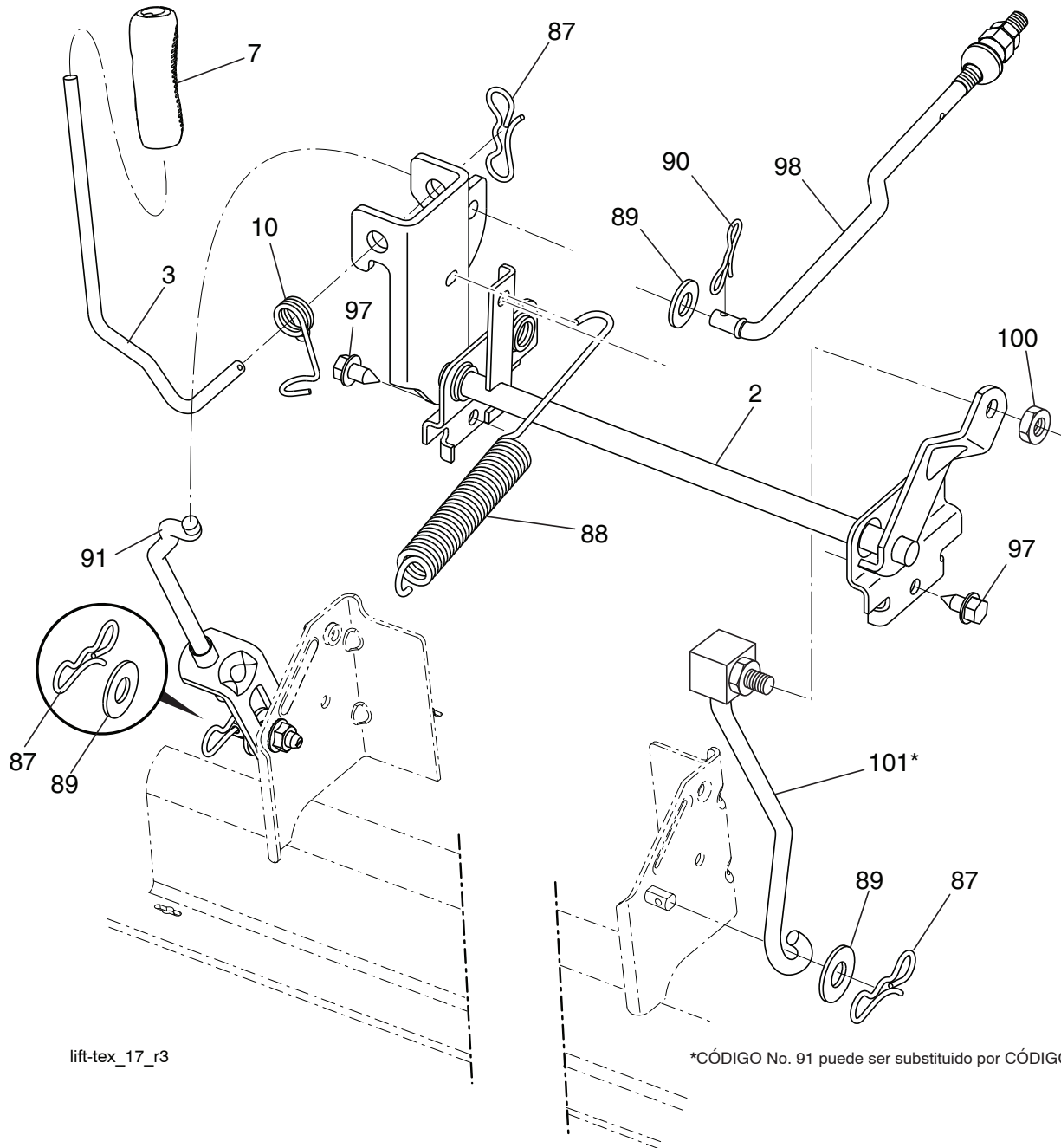
42\_D\_man-tex\_LT\_45

**TRACTOR - - MODELO NO. PB20H42LT (96042014800), PRODUCT NO. 960 42 01-48  
PLATAFORMA DE LA CORTADORA DE CÉSPED**

CÓDIGO PIEZA			CÓDIGO PIEZA		
No.	No.	DESCRIPCIÓN	No.	No.	DESCRIPCIÓN
1	532 19 64-95	Carcasa de la cortadora de césped	63	532 19 94-77	Brazo del freno de la cortadora de césped
6	532 19 51-86	Brazo de la suspensión	64	532 19 97-90	Varillaje del freno
7	532 41 63-58	Tornillo #10 x .750	67	532 40 30-12	Manija del cable de embrague
8	532 19 30-03	Perno/Arandela del ensamble de 7/16-20 unf	68	532 42 96-36	Correa trapezoidal
11	532 13 89-71	Cuchilla 42" Hi-Lift (Para empaquetar o descarga)	69	872 14 05-05	Perno
13	532 19 28-72	Ensamble del eje del mandril	70	532 19 83-32	Ensamble del embrague Manual
14	532 18 72-81	Carcasa del mandril	113	817 00 05-10	Tornillo 5/16-18
15	532 11 04-85	Rodamiento de bolas del mandril	116	532 12 48-42	Perno
19	532 19 65-39	Perno	117	532 18 86-06	Calibrador de la rueda
20	532 15 97-70	Deflector	122	532 19 72-58	Sujetador izquierdo de la correa del motor
21	873 68 05-00	Tuerca 5/16-18 unc	123	532 19 72-59	Sujetador derecho de la correa del motor
23	532 19 25-57	Soporte del deflector	144	532 19 92-04	Sujetador de la correa
24	532 10 53-04	Tapa de la manga	145	532 19 31-97	Polea loca
25	532 19 70-26	Resorte de torsión del deflector	147	532 40 19-71	Retorno del resorte
26	532 11 04-52	Tuerca	152	532 43 51-11	Cable de embrague manual
27	532 40 30-04	Protector del deflector	188	532 19 51-61	Sujetador del travesaño
29	532 13 14-91	Varilla de la bisagra	189	873 90 05-00	Tuerca
30	532 17 39-84	Tornillo	192	532 19 72-60	Soporte LI
31	532 18 76-90	Arandela	195	817 00 06-12	Tornillo 3/8-16 x 3/4
32	532 19 74-73	Polea del mandril	196	819 12 14-14	Arandela 13/32 x 7/8 x 14 Ga.
33	532 40 02-34	Tuerca	241	532 15 29-27	Tornillo TT #10-32 5 3/8
34	872 11 06-12	Perno 3/8-16 x 1-1/2 Gr. 5	242	532 41 55-98	Puerto De Lavado De La Cubierta
36	532 19 73-79	Polea loca	--	532 41 64-05	Accesorio del conexión
37	819 13 13-16	Arandela	--	532 19 28-70	Ensamble del Mandril (solo incluye la carcasa, el ensamble del eje y el rodamiento; no incluye la polea/tuerca/arandela ni los pernos/arandelas de la cuchilla)
38	532 43 25-20	Sujetador de la correa mandril	--	532 43 77-30	Reemplazo de la cortadora de césped, completa
40	873 90 06-00	Tuerca 3/8-16 unc			
42	532 19 84-10	Resorte de torsión del freno			
43	532 19 72-56	Resorte de torsión de retención			
46	532 13 77-29	Tornillo 1/4-20 x 5/8			
47	532 19 72-50	Soporte del cable de embrague			
55	532 43 71-10	Brazo de la polea			
56	532 19 90-92	Espaciador de retención			
57	817 00 06-16	Tornillo 3/8-16 x 1			
59	532 14 10-43	Dispositivo de protección de la polea			
60	532 19 72-61	Brazo del freno de la cortadora de césped			
62	872 11 06-16	Perno 3/8-16 unc x 2			

**NOTA:** Las dimensiones de todos los componentes están expresadas en pulgadas americanas. 1 pulgada = 25,4 mm

**TRACTOR - - MODELO NO. PB20H42LT (96042014800), PRODUCT NO. 960 42 01-48  
ELEVACIÓN DE LA CORTADORA DE CÉSPED**



lift-tex\_17\_r3

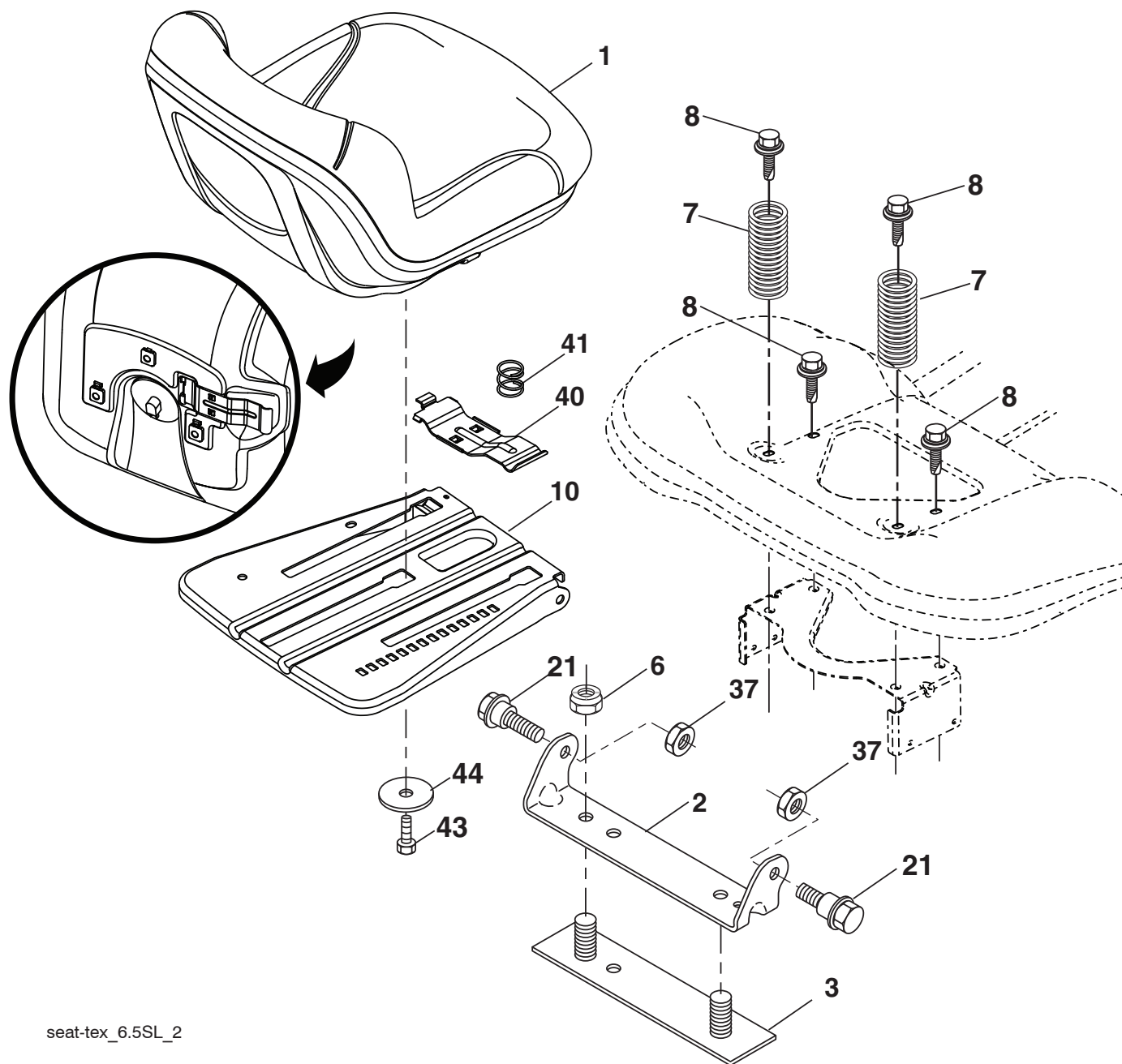
\*CÓDIGO No. 91 puede ser substituido por CÓDIGO No. 101

CÓDIGO No.	PIEZA No.	DESCRIPCIÓN
2	532 42 20-27	Ensamble del eje de la elevación
3	532 19 52-31	Ensamble de la palanca de elevación derecha
7	580 96 23-01	Mango de la palanca
10	532 19 63-14	Resorte de torsión
87	532 19 42-09	Pasador de chaveta de 7/16 con bloqueo en forma de mariposa
88	532 41 07-10	Resorte de ayuda de la elevación
89	819 19 19-12	Arandela de zinc transparente
90	532 19 42-08	Pasador de chaveta de 5/16 con bloqueo en forma de mariposa

CÓDIGO No.	PIEZA No.	DESCRIPCIÓN
91	532 19 51-81	Ensamble del acoplamiento Elevación trasera
97	817 00 06-12	Tornillo THDR 3/8-16 x 3/4
98	532 19 52-70	Ensamble del acoplamiento Elevación trasera
100	873 93 06-00	Tuerca de presión central de 3/8-16 UNC
101	532 40 70-03	Elevación de la cortadora de césped

**NOTA:** Las dimensiones de todos los componentes están expresadas en pulgadas americanas. 1 pulgada = 25,4 mm

**TRACTOR - - MODELO NO. PB20H42LT (96042014800), PRODUCT NO. 960 42 01-48  
ENSAMBLE DEL ASIENTO**



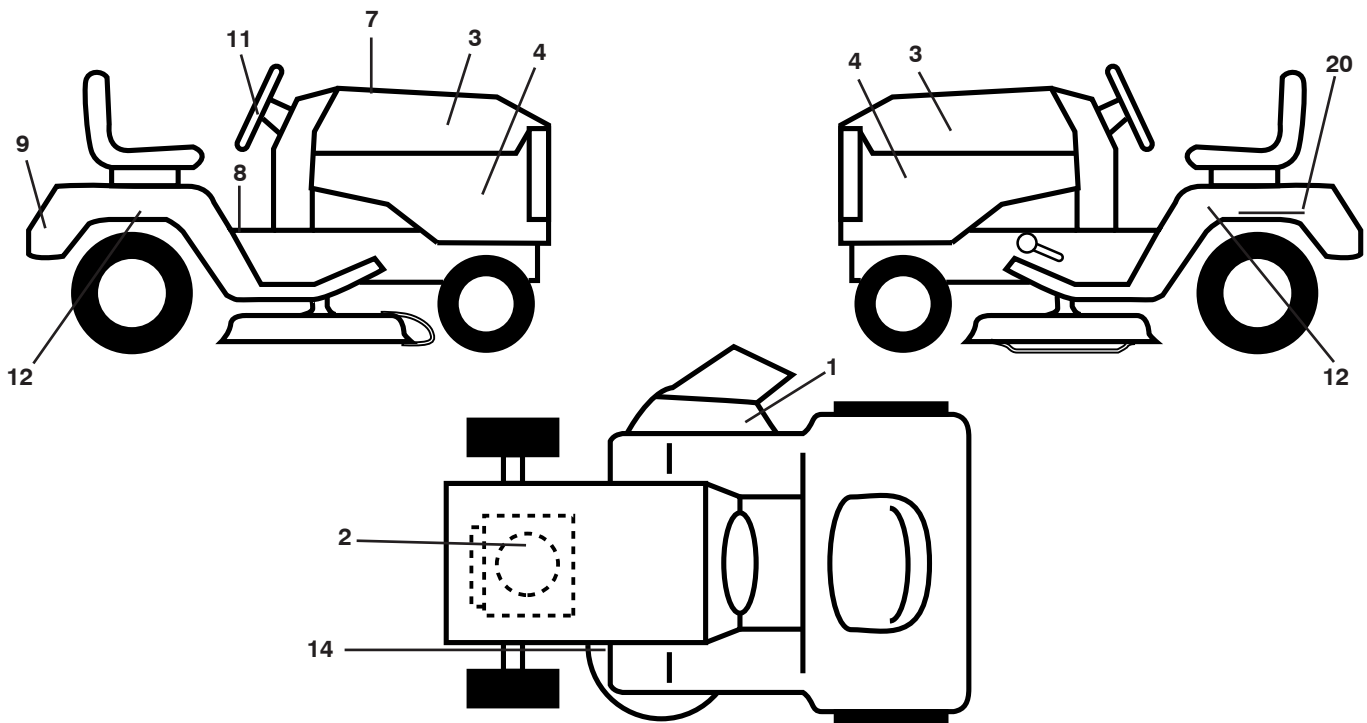
seat-tex\_6.5SL\_2

CÓDIGO No.	PIEZA No.	DESCRIPCIÓN
1	532 19 75-14	Asiento
2	532 18 01-66	Soporte pivotante del guardabarros
3	532 14 06-75	Conector del ensamble del guardabarros
6	873 80 06-00	Tuerca de presión c/aislamiento de 3/8-16 unc
7	532 12 41-81	Resorte del asiento
8	532 17 18-77	Perno de 5/16" unc x 3/4"
10	532 19 69-77	Bandeja del asiento
21	532 17 18-52	Perno de tope de 5/16-18

CÓDIGO No.	PIEZA No.	DESCRIPCIÓN
37	873 80 05-00	Tuerca de presión de 5/16-18 unc
40	532 19 76-61	Manija para deslizar el asiento
41	532 19 82-00	Resorte para trabar el asiento
43	874 76 06-12	Perno de cabeza hexagonal con aleta de 3/8-16 unc x 3/4
44	819 13 38-12	Arandela de 13/32 x 2-3/8 calibre 12

**NOTA:** Las dimensiones de todos los componentes están expresadas en pulgadas americanas. 1 pulgada = 25,4 mm

**TRACTOR - - MODELO NO. PB20H42LT (96042014800), PRODUCT NO. 960 42 01-48  
CALCOMANÍAS**



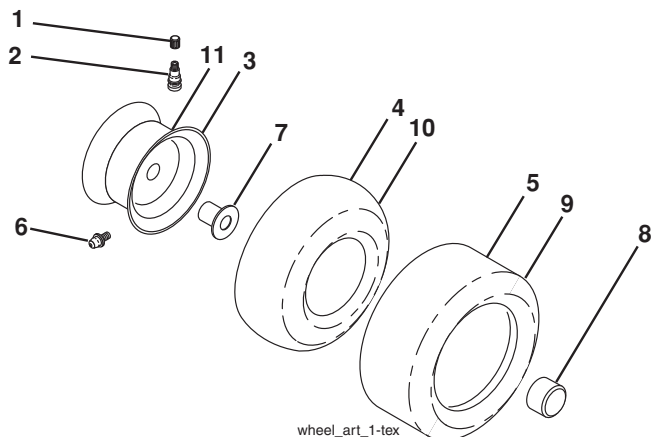
**CÓDIGO PIEZA**

No.	No.	DESCRIPCIÓN
1	532 17 05-63	Calcomanía advertencia
2	532 42 95-51	Calcomanía de motor
3	532 44 52-35	Calcomanía para la capota
4	581 53 27-01	Calcomanía para el panel lateral
7	581 50 34-01	Calcomanía de reemplazo
8	532 41 16-57	Calcomanía para el guardabarros
9	532 44 52-34	Calcomanía para el guardabarros
11	532 43 85-01	Calcomanía para el volante de dirección
12	532 43 84-92	Calcomanía para el guardabarros

**CÓDIGO PIEZA**

No.	No.	DESCRIPCIÓN
14	532 16 03-96	Calcomanía del diagrama de la cortadora de césped
20	532 14 50-05	Calcomanía de Peligro/Punto de interconexión
--	532 16 69-60	Calcomanía para la desviación
--	532 40 95-05	Forro del apoyo para los pies (LI)
--	532 41 12-73	Forro del apoyo para los pies (LD)
--	115 52 73-27	Manual del operador (Ing./Esp.)
--	583 97 12-33	Manual de piezas (Ing./Esp.)

**WHEELS AND TIRES**



**CÓDIGO PIEZA**

No.	No.	DESCRIPCIÓN
1	532 05 91-92	Tapa de la válvula del neumático
2	532 06 51-39	Vástago de la válvula
3	532 43 96-73	Ensamble de las llantas delanteras
4	532 05 99-04	Cámara delantera
5	532 10 62-22	Neumático delantero
6	532 12 49-57	Accesorio para engrasar (Sólo para la rueda delantera)
7	532 12 49-59	Rodamiento de la brida (Sólo para la rueda delantera)
8	532 17 50-39	Tapa del eje
9	532 13 84-68	Neumático trasero 18 x 9.5-8
10	532 12 49-26	Cámaratrasera (Mantenimiento sólo)
11	532 44 08-81	Ensamble trasero de la llanta
--	532 14 43-34	Sellador para neumáticos (tubo de 10 onzas [283 gr])

**NOTA:** Las dimensiones de todos los componentes están expresadas en pulgadas americanas. 1 pulgada = 25,4 mm

## GARANTÍA LIMITADO

El fabricante le garantiza al comprador consumidor original que este producto no tendrá defectos en los materiales ni en la mano de obra. Le repararemos o reemplazaremos, a nuestra opción, cualquier pieza que encontremos defectuosa a causa de los materiales o mano de obra, sin incluir los costos de las piezas o de mano de obra incurridos en el reemplazo de las piezas y durante un período de dos (2) años desde la fecha de compra del comprador consumidor original. Esta garantía está sujeta a las siguientes limitaciones y exclusiones.

1. Esta garantía no se aplica al motor, a los componentes del transeje/transmisión, a la batería (excepto lo que se expresa a continuación) ni partes componentes de estos. Consulte la garantía del fabricante correspondiente a estos artículos.
2. Los costos de transporte ocasionados por el traslado de cualquier unidad o accesorio de equipos motorizados son responsabilidad del comprador. El comprador debe pagar los costos de transporte de cualquiera de las piezas enviadas para su reemplazo en garantía, excepto cuando el reemplazo haya sido solicitado por el fabricante.
3. Garantía de la batería: En los productos equipados con baterías, le reemplazaremos, sin costo al comprador, cualquier batería que encontremos defectuosa en su fabricación durante los primeros noventa (90) días de posesión. Después de noventa (90) días, le cambiaremos la batería, con un costo del 1/12 del precio de una batería nueva por cada mes completo desde la venta original. La batería debe ser conservada de acuerdo con las instrucciones provistas.
4. El período de garantía para cualquier producto utilizado con fines comerciales o de alquiler está limitado a 90 días desde la fecha original de compra.
5. Esta garantía se aplica solo a productos que han sido ensamblados, ajustados, operados y conservados correctamente y de acuerdo con las instrucciones provistas. Esta garantía no se aplica a ningún producto que haya estado sujeto a alteraciones, uso indebido, abuso, ensamblado o instalación incorrectas, daños por envío o al desgaste natural del producto.
6. Exclusiones: Se excluyen de esta garantía las correas, las cuchillas, los adaptadores de las cuchillas, el desgaste natural, los ajustes normales, los accesorios estándares y el mantenimiento normal.
7. En caso de tener que hacer un reclamo durante el periodo de vigencia de esta garantía, deberá devolver el producto a un distribuidor de servicio autorizado.

En caso de tener preguntas sobre esta garantía, póngase en contacto con:

HOP  
Outdoor Products Customer Service Dept.  
9335 Harris Corners Parkway  
Charlotte, NC 28269 USA

En Canadá:  
HOP  
5855 Terry Fox Way  
Mississauga, Ontario  
L5V 3E4

Proporcione el número de modelo, número de serie y fecha de compra del producto, y el nombre y dirección del distribuidor autorizado donde compró el producto.

**ESTA GARANTÍA NO SE APLICA A DAÑOS INCIDENTALES O CONSECUENTES Y CUALQUIER GARANTÍA IMPLÍCITA ESTÁ LIMITADA A LOS MISMOS PLAZOS AQUÍ ESTABLECIDOS POR NUESTRAS GARANTÍAS EXPRESAS.** Algunas jurisdicciones no permiten la limitación de daños consecuentes o limitaciones sobre el periodo de duración de una garantía implícita, por lo que las limitaciones o exclusiones anteriormente detalladas pueden no aplicarse en su caso. Esta garantía le otorga derechos legales específicos y es posible que usted goce de otros derechos que varían de localidad en localidad.

Esta es una garantía limitada según se define en la Ley Magnuson-Moss de 1975.



# Poulan PRO

## PARTES Y SERVICIOS

Este producto ha sido diseñado por expertos y fabricado con cuidado según estrictas normas de calidad. Como con todos los productos mecánicos, pueden requerirse algunos ajustes o el cambio de algunas piezas durante la vida útil de la unidad.

Para obtener partes y servicios, contacte a nuestro distribuidor autorizado: llame al 1-800-849-1297

- Para obtener repuestos, tenga preparada la siguiente información:
  - a. Número de modelo/Número de I.D. del fabricante
  - b. Descripción de la pieza.

Para obtener asistencia técnica: llame al 1-800-829-5886

Para obtener un manual de piezas, visite nuestro sitio web: [www.poulanpro.com](http://www.poulanpro.com)

**NOTA:** HOP ofrece piezas y servicio a través de sus distribuidores y concesionarios autorizados; por lo tanto, todas las solicitudes de piezas y servicio deben dirigirse a su concesionario local. Es la filosofía de HOP mejorar permanentemente todos sus productos. Si las características operativas o el aspecto de su producto difiere de los descritos en este Manual, contacte a su concesionario local para solicitar información actualizada y asistencia.